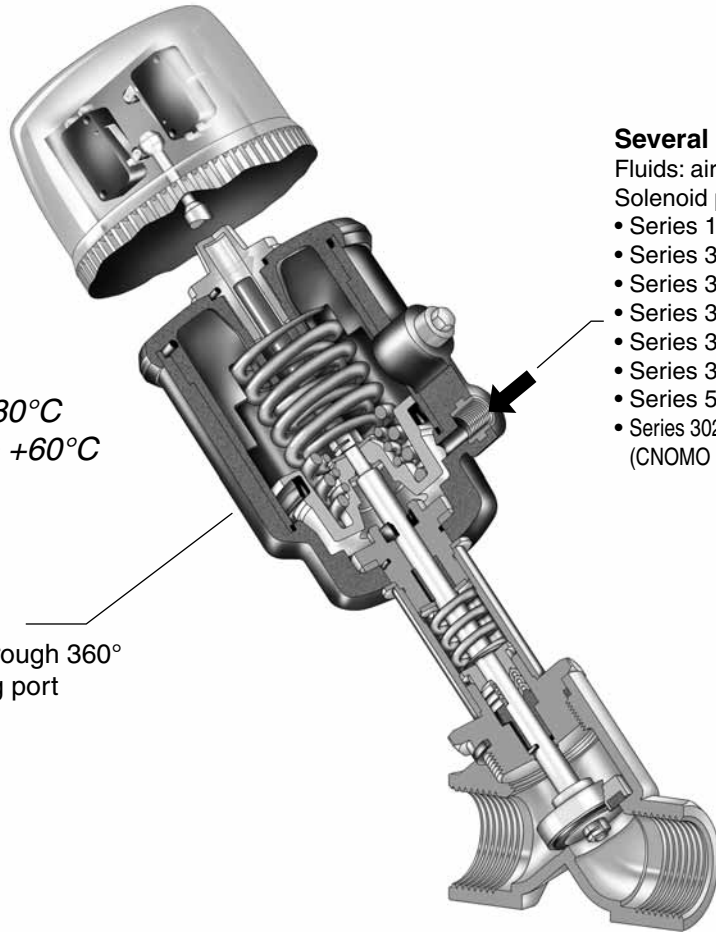


**Reliability and long service life**  
**Anti-waterhammer design**      **Backpressure resistant**

**Angle-seat valves**  
**series 290-390**

- Excellent flow rate
- PN16
- Max. fluid temperature +180°C
- Max. ambient temperature +60°C

**Easy assembly**  
 Operator rotatable through 360°  
 to position the piloting port

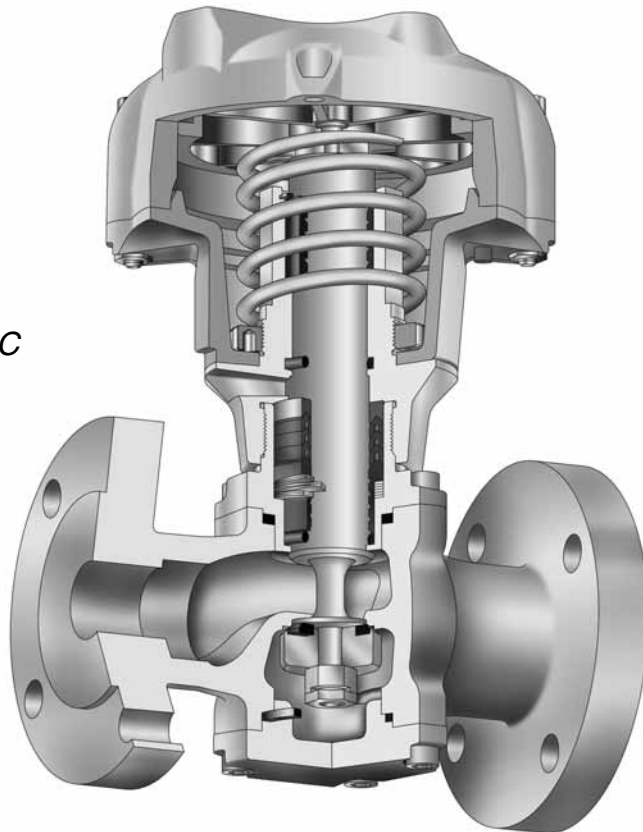


- Several piloting choices:**  
 Fluids: air or water from 1,5 to 10 bar  
 Solenoid pilot valves:
- Series 189 Banjo Ø 1,2 mm
  - Series 356 Ø 1,6 mm G1/8-1/4
  - Series 374 Ø 2,7 mm
  - Series 325 Ø 1,2 mm
  - Series 314 Ø 1,2 - 2,4 et 3,2 mm
  - Series 320 Ø 3,2 mm
  - Series 551 NAMUR with interface
  - Series 302 with mounting pad to ISO 15218 (CNOMO E06.36.120N, size 15)

**Globe valves**  
**series 298-398**

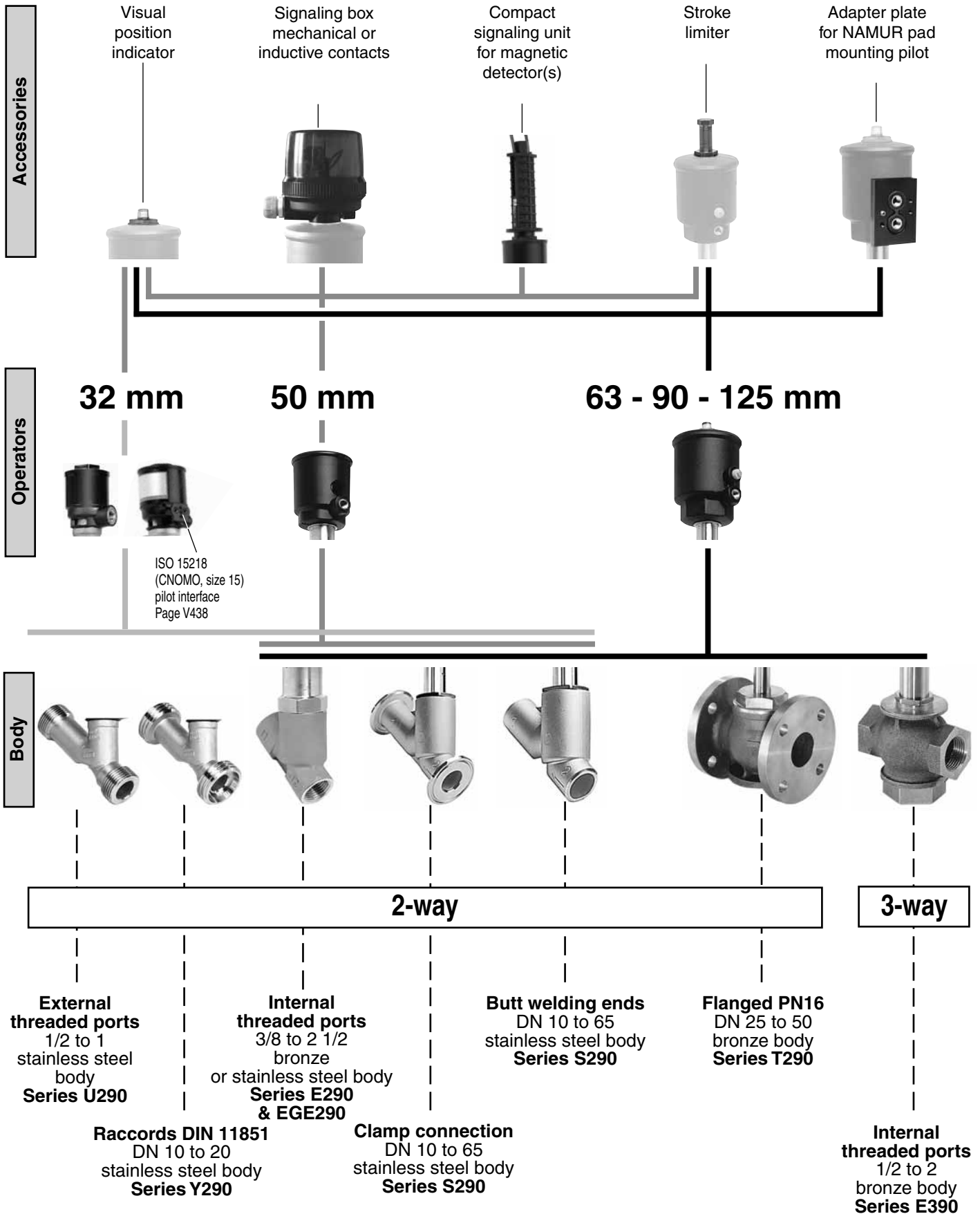
- Thermal shock resistant
- PN40
- Max. fluid temperature +250°C
- Max. ambient temperature +180°C
- 3/2 Universal
- Simple and easy maintenance, fully disassemblable valve

**Bi-directional fluid flow**  
 Pressure can be applied to any orifice as required by the process



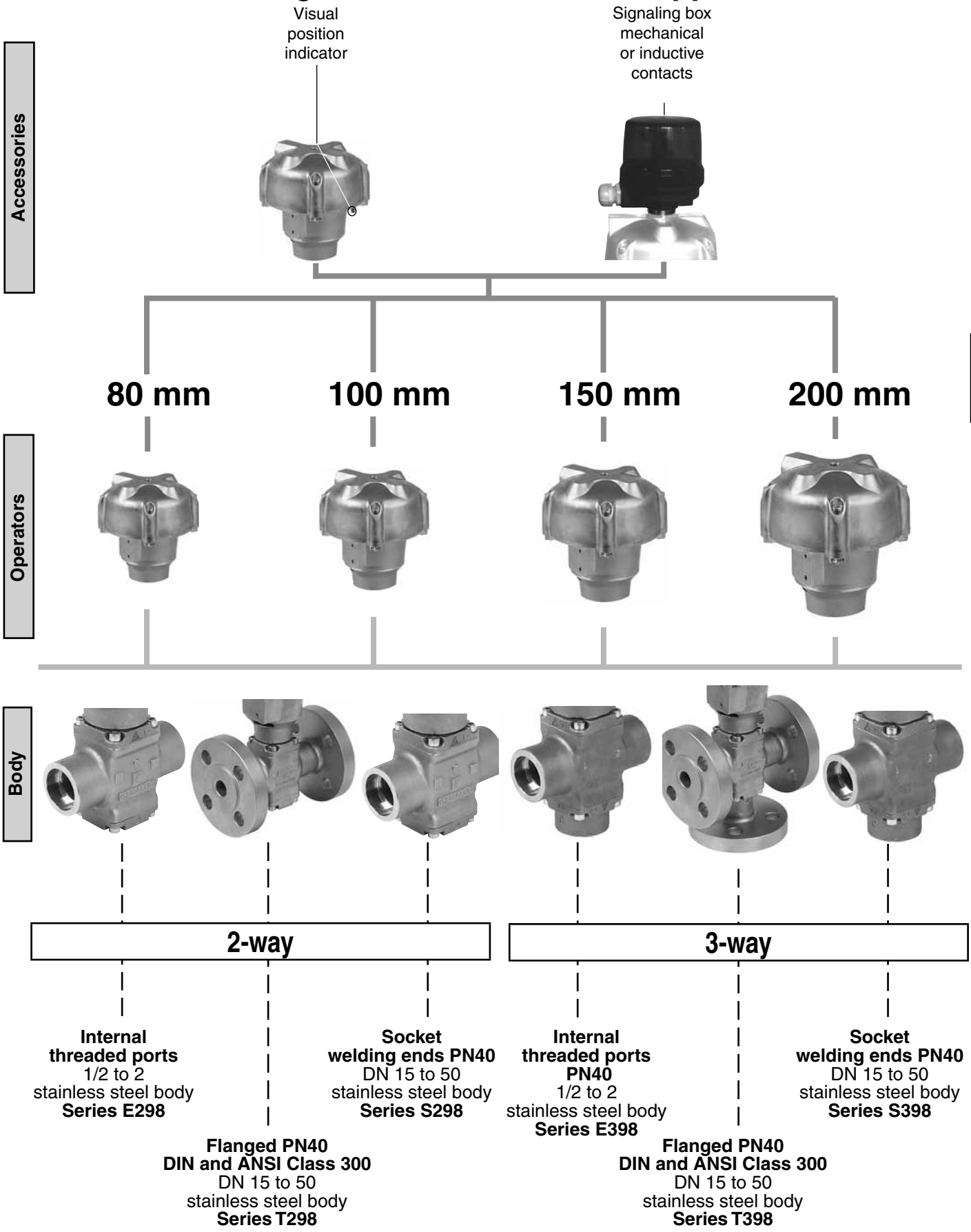
**D**

## A wide range of valves for all fluid applications



For exact material selection and combinations, refer to the appropriate catalogue pages.

## A wide range of valves for all fluid applications












D

00047GB-2008/R03 Availability, design and specifications are subject to change without notice. All rights reserved.

For exact material selection and combinations, refer to the appropriate catalogue pages.

### GENERAL SPECIFICATIONS

<b>2/2 VALVES</b> (Functions NC - NO)							
series	connection	<b>E290</b> <b>internal thread</b>	<b>E290</b> <b>internal thread</b>	<b>U290</b> <b>ext. thread</b>	<b>Y290</b> <b>DIN 11851</b>	<b>S290</b> <b>Clamp / butt welding ends</b>	
body		1/2 to 2 1/2 <b>bronze</b>	3/8 to 2 1/2 <b>stainless steel</b> <sup>(1)</sup>	1/2 to 1 <b>st. steel</b> <sup>(1)</sup>	DN 10 to 20 all <b>AISI 316L</b>	DN 10 to 65 <b>stainless steel</b> <sup>(1)</sup>	
FLUIDS:	neutral	●	●		●	●	
	aggressive		●		●	●	
	steam ( <b>10 bar max.</b> )	●	●		●	●	
FLUID TEMPERATURE				-10°C to +184°C			
DIFFERENTIAL PRESSURE				0 - 16 bar			
MAXIMUM ALLOWABLE PRESSURE				16 bar			
AMBIENT TEMPERATURE				-10°C to +60°C			
PILOT FLUID				filtered air or water			
PILOT FLUID TEMPERATURE				-10°C to +60°C			
OPERATOR				32, 50, 63, 90, 125 mm			
PILOT PRESSURE							
	NC (fluid entry under disc)			2,5 / 4 to 10 bar <sup>(2)</sup>			
	NO (fluid entry under disc)			see page 7 <sup>(2)</sup>			
	NC (fluid entry above disc)			see page 7 <sup>(2)</sup>			
CATALOGUE PAGE		<b>V410 / V438</b>		<b>V412 / V414 / V438</b>		<b>V420 / V438</b>	




<b>2/2 - 3/2 VALVES</b> (Functions NC - NO)				
series	connection	<b>T290</b> <b>2/2, flanged</b>	<b>E390</b> <b>3/2, internal thread</b>	<b>EGE290</b> <b>gas service</b>
body		DN 25 to 50 <b>bronze</b>	1/2 to 2 <b>bronze</b>	1/2 to 2 <b>bronze / stainless steel</b>
FLUIDS:	neutral	●	●	
	steam ( <b>10 bar max.</b> )	●	●	
	combustible gas (EN 161)			●
FLUID TEMPERATURE		-10°C to +184°C	-10°C to +184°C	-10°C to +60°C
DIFFERENTIAL PRESSURE		0 - 16 bar	0 - 16 bar	0 - 10 bar
MAXIMUM ALLOWABLE PRESSURE		16 bar	16 bar	-
AMBIENT TEMPERATURE		-10°C to +60°C	-10°C to +60°C	-
PILOT FLUID		filtered air or water	filtered air or water	air
PILOT FLUID TEMPERATURE		-10°C to +60°C	-10°C to +60°C	-10°C to +60°C
OPERATOR		63, 90, 125 mm	63, 90, 125 mm	63 mm
PILOT PRESSURE				
	NC (fluid entry under disc)	2,5 / 4 to 10 bar <sup>(2)</sup>	3 / 5 to 10 bar <sup>(2)</sup>	-
	NO (fluid entry under disc)	see page 7 <sup>(2)</sup>	see page 7 <sup>(2)</sup>	-
	NC (fluid entry above disc)	see page 7 <sup>(2)</sup>	-	5 to 9 bar <sup>(3)</sup>
CATALOGUE PAGE		<b>V431</b>	<b>V703</b>	




<sup>(1)</sup> All stainless steel AISI 316L versions on request.

<sup>(2)</sup> Pilot pressure lower than indicated minimum, contact us.

<sup>(3)</sup> See "www.asconumatics.eu"

### GENERAL SPECIFICATIONS

			
<b>2/2 VALVES</b> (Functions NC - NO)			
series	<b>E298</b>	<b>T298</b>	<b>S298</b>
connection	<b>internal thread</b>	<b>flanged</b>	<b>socket welding ends</b>
body	<b>PN40</b> 1/2 to 2 <b>stainless steel</b>	<b>PN40, DIN and ANSI Class 300</b> DN 15 to 50 <b>stainless steel</b>	<b>PN40</b> DN 15 to 50 <b>stainless steel</b>
FLUIDS: neutral	●	●	●
aggressive	●	●	●
superheated water	●	●	●
steam (10 bar max.)	●	●	●
FLUID TEMPERATURE	-10°C to +250°C		
DIFFERENTIAL PRESSURE	0 - 40 bar		
MAXIMUM ALLOWABLE PRESSURE	40 bar		
ALLOWABLE BACKPRESSURE	up to 40 bar		
AMBIENT TEMPERATURE	-25°C to +180°C (autoclavable valve)		
PILOT FLUID	filtered air		
PILOT FLUID TEMPERATURE	-10°C to +60°C		
OPERATOR	80, 100, 150, 200 mm		
PILOT PRESSURE	max. 10 bar <sup>(1)</sup>		
NC - NO			
CATALOGUE PAGE	<b>V451</b>	<b>V453</b>	<b>V455</b>

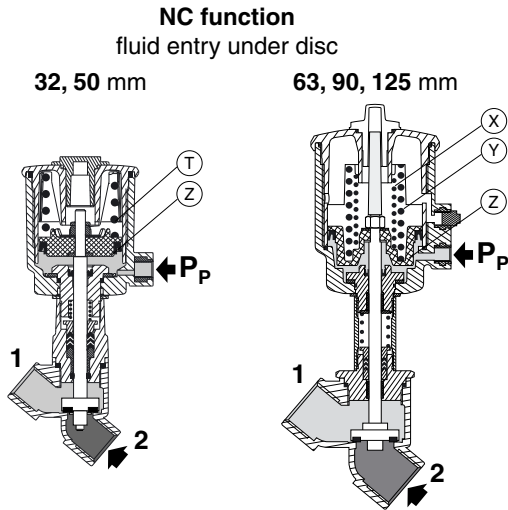
			
<b>3/2 VALVES</b> (U, mixer / distributor functions)			
series	<b>E398</b>	<b>T398</b>	<b>S398</b>
connection	<b>internal thread</b>	<b>flanged</b>	<b>socket welding ends</b>
body	<b>PN40</b> 1/2 to 2 <b>stainless steel</b>	<b>PN40, DIN and ANSI Class 300</b> DN 15 to 50 <b>stainless steel</b>	<b>PN40</b> DN 15 to 50 <b>stainless steel</b>
FLUIDS: neutral	●	●	●
aggressive	●	●	●
superheated water	●	●	●
steam (10 bar max.)	●	●	●
FLUID TEMPERATURE	-10°C to +250°C		
DIFFERENTIAL PRESSURE	0 - 40 bar		
MAXIMUM ALLOWABLE PRESSURE	40 bar		
AMBIENT TEMPERATURE	-25°C to +180°C		
PILOT FLUID	filtered air		
PILOT FLUID TEMPERATURE	-10°C to +60°C		
OPERATOR	80, 100, 150, 200 mm		
PILOT PRESSURE	max. 10 bar <sup>(1)</sup>		
U			
CATALOGUE PAGE	<b>V751</b>	<b>V753</b>	<b>V755</b>

<sup>(1)</sup> min. pilot pressure: See pilot pressure graphs on the respective catalogue page.

Selection and operation of a valve depend on two parameters:

- The maximum differential pressure ( $\Delta P$ ) across the valve in closed position
- The minimum pilot pressure necessary to control the valve

Series 290 - 390 valves can be equipped with diameter 32, 50, 63, 90 or 125 mm operators.



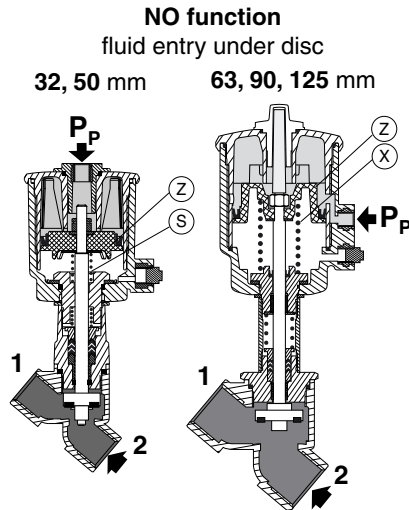
The valve is kept in the closed position by spring (T) (X) and/or (Y). It is opened by pilot pressure (Pp) under the piston (Z).

The operators are standard available as follows:

operators	return spring	pilot pressure (bar)		range of applications
		min.	max.	
32 - 50	T	4	10	high $\Delta P$ typical applications
63 - 90 - 125	X + Y	4	10	

To meet the requirements of different applications, 63-90-125 mm operators are available in two other versions:

63 - 90 - 125	Y	2,5	10	average $\Delta P$ low pilot pressure
	X	1,5	10	low $\Delta P$ very low pilot pressure

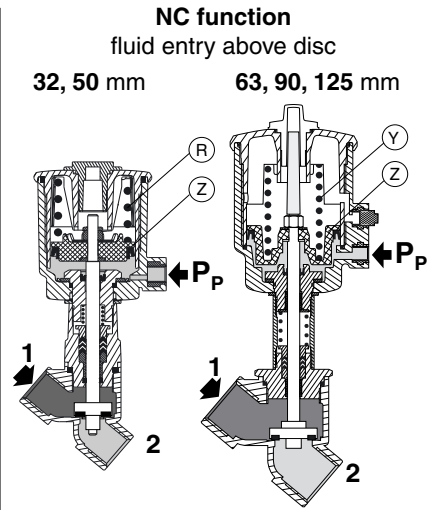


The valves are kept in the open position by return spring (S) or (X).

The valve is closed by pilot pressure (Pp) on piston (Z).

In the closed position, the pilot pressure must overcome the force of the return spring and that created by the  $\Delta P$  under the disc.

The minimum pilot pressure varies as a function of the  $\Delta P$  to which the valve is subjected.



This function is recommended for steam systems (184°C max.) with high cycling rates.

**Not to be used with liquids as waterhammer may occur.**

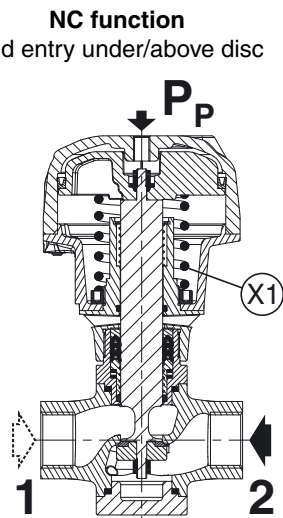
Valves are maintained in the closed position by spring (R) or (Y).

The valve is opened by pilot pressure (Pp) under piston (Z). The pilot pressure must overcome the force of the return spring and that generated by the  $\Delta P$  on the disc.

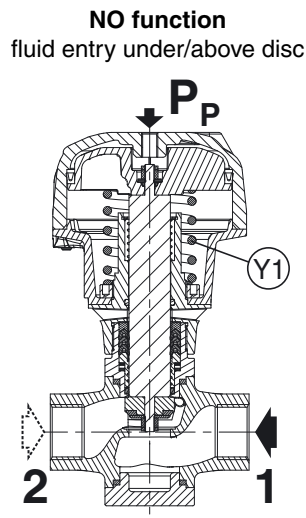
The minimum pilot pressure varies as a function of the  $\Delta P$  to which the valve is subjected.

Series 298 - 398 valves can be equipped with diameter 80, 100, 150 or 200 mm operators.

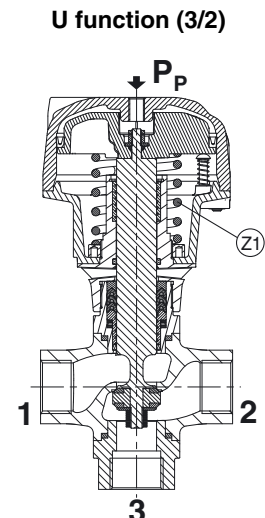
The minimum pilot pressure varies as a function of the  $\Delta P$  to which the valve is subjected. Low pilot pressure operation is standard on all 298 - 398 valves.



The valve is kept in the closed position by spring (X1). It is opened by pilot pressure (Pp).



The valves are kept in the open position by return spring (Y1). It is closed by pilot pressure (Pp).

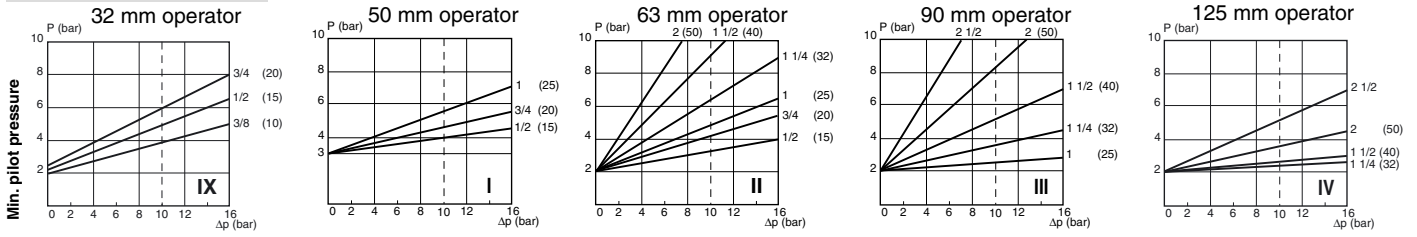


The valves are held in position by return spring (Z1). Pilot pressure (Pp).

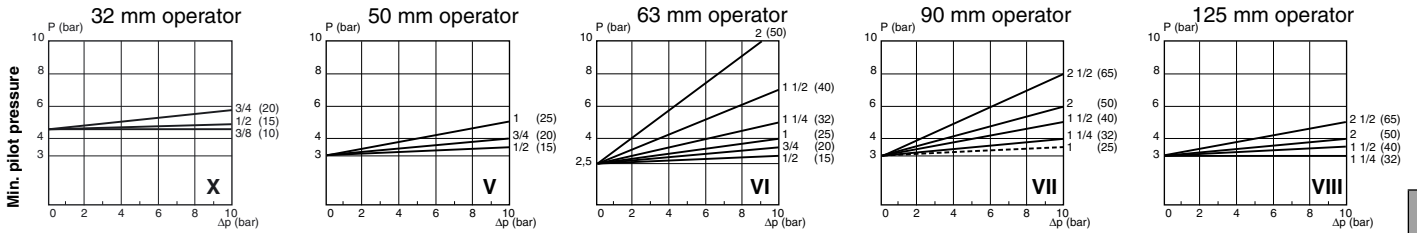
### SELECTION OF THE MINIMUM PILOT PRESSURE

#### series 290 / 390

#### For NO valves, fluid entry under disc



#### For NC valves, fluid entry above disc with backpressure



#### series 298 / 398

See graphs on pages: 2/2: V451, V453, V455 - 3/2: V751, V753, V755

### SELECTION OF PILOT VALVE TYPE FOR REQUIRED RESPONSE TIMES

Response times of valves depend on the Kv of the pilot valve or positioner used and the size of the valve, as shown in the following tables.

#### Response time (in seconds) for NC valve series 290/390 (6 bar pilot air)

series 290 / 390	Response time (in seconds) for NC valve series 290/390 (6 bar pilot air)																			
	32 mm operator				50 mm operator						63 mm operator									
	O <sup>(1)</sup>		C <sup>(1)</sup>		O <sup>(1)</sup>		C <sup>(1)</sup>		O <sup>(1)</sup>			C <sup>(1)</sup>			O <sup>(1)</sup>			C <sup>(1)</sup>		
Ø (DN)	A	B	A	B	A	C1	F1	A	C1	F1	A	C1	F1	A	C1	F1	A	C1	F1	
3/8 (10)	0,05	0,11	0,01	0,1	-	-	-	-	-	-	-	-	-	-	-	-	-	-	-	-
1/2 (15)	0,05	0,11	0,01	0,1	0,14	0,09	0,9	0,23	0,22	0,9	0,19	0,16	-	0,47	0,44	-	-	-	-	-
3/4 (20)	0,05	0,11	0,01	0,1	0,14	0,09	0,9	0,23	0,22	0,9	0,24	0,20	1	0,36	0,34	1	-	-	-	-
1 (25)	-	-	-	-	0,17	0,10	-	0,23	0,22	-	0,37	0,32	2	0,52	0,48	2	-	-	-	-
1 1/4 (32)	-	-	-	-	-	-	-	-	-	-	0,37	0,32	2	0,52	0,48	2	-	-	-	-
1 1/2 (40)	-	-	-	-	-	-	-	-	-	-	0,37	0,32	2	0,52	0,48	2	-	-	-	-
2 (50)	-	-	-	-	-	-	-	-	-	-	0,37	0,32	2	0,52	0,48	2	-	-	-	-

Ø (DN)	90 mm operator						125 mm operator					
	O <sup>(1)</sup>			C <sup>(1)</sup>			O <sup>(1)</sup>			C <sup>(1)</sup>		
	D	E	F1	D	E	F1	D	E	F1	D	E	F1
1 (25)	0,2	0,73	2	0,29	1,1	2,5	-	-	-	-	-	-
1 1/4 (32)	0,2	0,73	2	0,29	1,1	2,5	0,67	1,35	4,6	0,78	2,51	4,9
1 1/2 (40)	0,2	0,73	2	0,29	1,1	2,5	0,67	1,35	5	0,78	2,51	6
2 (50)	0,2	0,73	2	0,29	1,1	2,5	0,67	1,35	5	0,78	2,51	6
2 1/2 (65)	0,2	0,73	2	0,29	1,1	2,5	0,67	1,35	5	0,78	2,51	6

The times indicated for opening (O) and closing (C) of the valve corresponds to:

- 1/8, 32-50-63 mm operators, 3/2 pilots (see V439):

A: series 189 banjo - orifice size 1,2 mm, max. pilot pressure 10 bar

C1: series 356 1/8 - Ø1,6 mm, max. pilot pressure 10 bar

- F1, Positioner<sup>D</sup>: max. pilot pressure 8 bar (see V162)

- 1/4, 90-125 mm operators, 3/2 pilots (see V444):

D: series 374 1/4 - Ø2,8 mm, max. pilot pressure 10 bar

E: series 356 1/4 - Ø1,6 mm, max. pilot pressure 10 bar

- Pad mounting to ISO 15218 (CNOMO E06.36.120N, size 15):

B: series 302, Ø1,1 mm, max. pilot pressure 10 bar (see V438)

#### Response time (in seconds) for NC valve series 298/398 (6 bar pilot air)

series 298 / 398	Response time (in seconds) for NC valve series 298/398 (6 bar pilot air)																								
	80 mm operator				100 mm operator				150 mm operator								200 mm operator								
	O		C		O		C		O				C				O				C				
Ø (DN)	pilots		pilots		pilots		pilots		pilots		E		D		E		pilots		pilots		D		E		
	C1	U	C1	U	C1	U	C1	U	C1	U	C1	U	C1	U	C1	U	C1	U	C1	U	C1	U	C1	U	
<b>2/2 VALVES NC/NO and 3/2 U</b>																									
1/2 (15)	0,05	0,07	0,74	0,69	-	-	-	-	-	-	-	-	-	-	-	-	-	-	-	-	-	-	-	-	-
3/4 (20)	-	-	-	-	0,12	0,13	0,77	0,98	-	-	-	-	-	-	-	-	-	-	-	-	-	-	-	-	-
1 (25)	-	-	-	-	0,08	0,11	0,92	1,59	-	-	-	-	-	-	-	-	-	-	-	-	-	-	-	-	-
1 1/4 (32)	-	-	-	-	-	-	-	-	0,08	0,09	0,76	0,77	0,48	0,77	2,21	2,5	-	-	-	-	-	-	-	-	-
1 1/2 (40)	-	-	-	-	-	-	-	-	0,08	0,09	0,76	0,77	1,02	1,15	2,75	2,88	-	-	-	-	-	-	-	-	-
2 (50)	-	-	-	-	-	-	-	-	-	-	-	-	-	-	-	-	0,13	0,23	1,15	1,25	1,43	2,05	4,03	4,65	

The times indicated for opening (O) and closing (C) of the valve corresponds to:

- 1/8, 80-100 mm operators, 3/2 pilots (see V467):

C1: series 356 1/8 - Ø1,6 mm, max. pilot pressure 10 bar

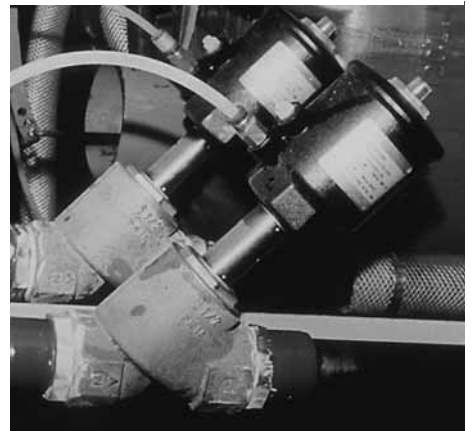
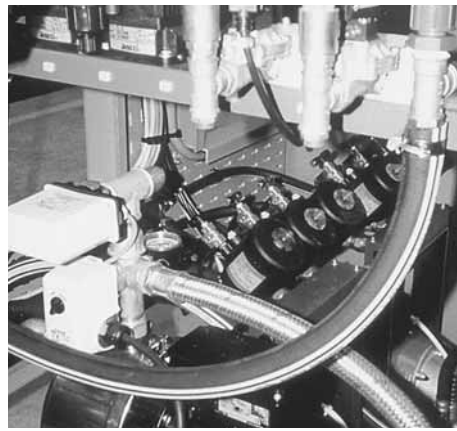
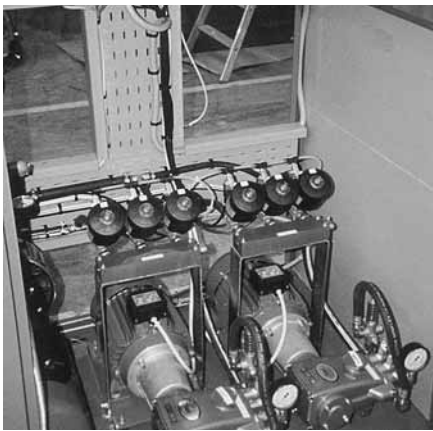
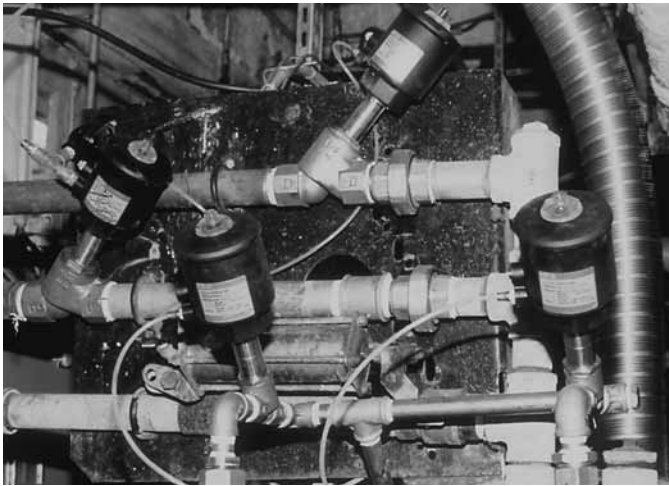
- 1/4, 150-200 mm, operators 3/2 pilots (see V469):

D: series 374 1/4 - Ø2,8 mm, max. pilot pressure 10 bar

E: series 356 1/4 - Ø1,6 mm, max. pilot pressure 10 bar

<sup>(1)</sup> Values for NC valves. For NO valves, interchange O and C values.





1	2
3	4 5
6	7 8

**Series 290 - 390**

- 1 Industrial laundry (steam circuit)
- 2 Special machinery
- 3 Special machinery with steam circuit
- 4 Food processing
- 5 Chemical product processing

**Series 298 - 398**

- 6 Autoclaves and industrial boilers
- 7 Tyre press or rubber parts applications (vulcanisation)
- 8 Iron and steel industry



**THORNE &  
DERRICK  
INTERNATIONAL**

Thorne & Derrick  
+44 (0) 191 490 1547  
www.heatingandprocess.com