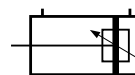


JOUCOMATIC™

CYLINDERS WITH TIE RODS

Ø 250 mm - double acting
ISO 6431 - CETOP
with adjustable pneumatic cushioning



Series
436
Type
PIS-DM

GENERAL**Detection****Fluid****Pressure****Temperature****Standards****Equipped for magnetic position detectors**

Air or neutral gaz filtered, lubricated or not

10 bar max.

-20°C to +70°C

ISO 6431

CONSTRUCTION**Tube****Tie rods****Rod****Piston****Piston seals****Cushioning seals****Front and rear covers****Metal bearing****Rod nut****Cushioning****Cushioning length**

aluminium alloy

steel

hard chromé dur

light alloy fitted with a permanent annular magnet

NBR (nitrile)

NBR (nitrile)

light alloy

selflubricated

galvanized steel

Pneumatic, adjustable from the both sides

45 mm

**B****SPECIFICATIONS**

Ø (mm)	stroke (mm)	catalogue number *	reference	Ø connection
250	50	43602434	PIS 250 A 50 - DM	G 1
	100	43602435	PIS 250 A 100 - DM	
	160	43602436	PIS 250 A 160 - DM	
	200	43602437	PIS 250 A 200 - DM	
	250	43602438	PIS 250 A 250 - DM	
	320	43602439	PIS 250 A 320 - DM	
	400	43602440	PIS 250 A 400 - DM	
	500	43602441	PIS 250 A 500 - DM	
	600	43602442	PIS 250 A 600 - DM	
	700	43602443	PIS 250 A 700 - DM	
	800	43602444	PIS 250 A 800 - DM	
	900	43602445	PIS 250 A 900 - DM	
	1000	43602446	PIS 250 A 1000-DM	

* The magnetic position detectors are ordered separately:

- "T" model (see page P291), reed switch or magneto-resistive type

MOUNTINGS (contact us)**OPTIONS**

Non cushioned version

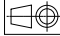
Mountings availability: contact us

Cylinder with noyes nuts

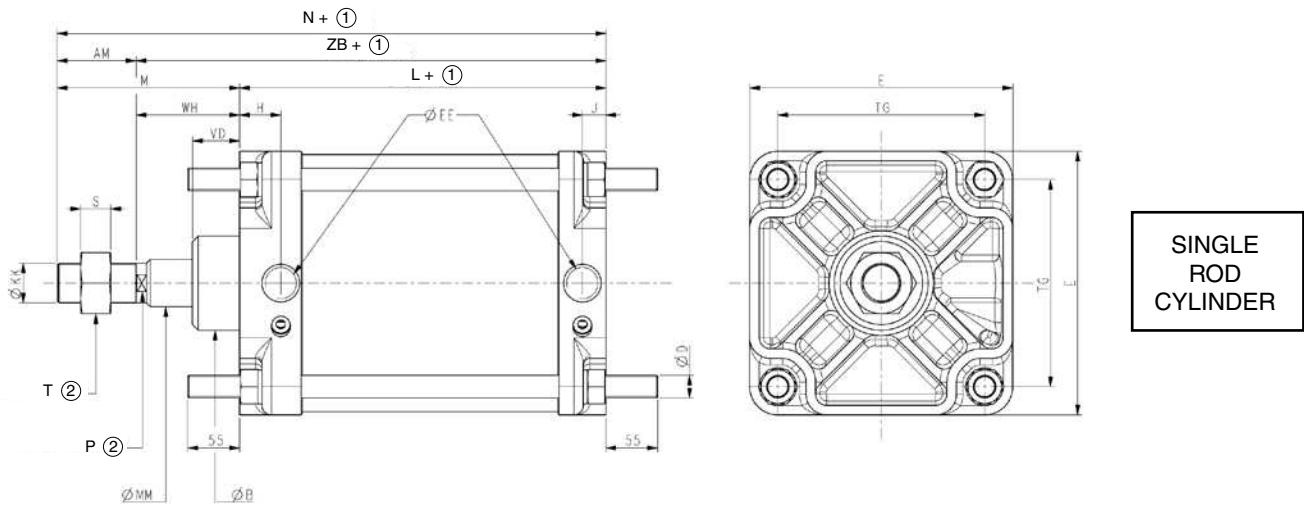


**THORNE &
DERRICK
INTERNATIONAL**

Thorne & Derrick
+44 (0) 191 490 1547
www.heatingandprocess.com

DIMENSIONS (mm), WEIGHT (kg) 

Bare cylinder



**SINGLE
ROD
CYLINDER**

- ① Stroke
- ② Across flats

Ø	AM	ØB	ØD	E	ØEE	H	J	ØKK	L	M	ØMM	N	P	S	T	TG
250	84	100	M24	280	G1	44	25	M42x2	190	194	50	384	38	32	65	220

Ø	VD	WH	ZB	weight	
				(3)	(4)
250	50	110	300	25	5,5

(3) Cylinder weight with 0 mm stroke
 (4) Weight to be added per additional mm length