

GB Wolf ATEX Torch with LED Range
Operation and Maintenance Instructions
 Please retain - read before use

EC/EU Declaration of Conformity
 The Wolf ATEX Torch with LED Range meets all relevant provisions of the:

- a) 94/9/EC Explosive Atmospheres (ATEX Equipment) Directive (up to 19th April 2016).
- b) 2014/34/EU Explosive Atmospheres (ATEX Equipment) Directive (from 20th April 2016).

By virtue of the issued EC/EU type examination certificate, demonstrating compliance with all relevant harmonised standards and essential health and safety requirements.

Wolf ATEX Torches with LED are self contained primary cell powered torches with high power LED light sources moulded in high impact strength plastic. The TS-30+ and TR-30+ are approved as Group I, M2 equipment for mining applications, Group II, Category 2 equipment for use in zone 1 & 2 potentially explosive gases, vapours and mists where the T4 temperature class permits and zone 21 & 22 potentially explosive dusts where the T130°C maximum surface temperature and IIIB dust group permits.

The TS-35+ and TR-35+ are approved as Group I, M1 equipment for mining applications, Group II, Category 1 equipment for use in zone 0, 1 & 2 potentially explosive gases, vapours and mists where the T4 temperature class permits and zone 20, 21 & 22 potentially explosive dusts where the T130°C maximum surface temperature and IIIB dust group permits.

For detailed information on applicable codes with battery options, see attached table.

Do not open torch in Ex Areas.
Do not mix cells.
Do not use rechargeable cells.
Ensure torch is switched off when fitting the TP-300 LED module.
Damaged equipment should be repaired before further use.
Caution - If fitting Polycarbonate lens, check Ex atmospheres for compatibility.

Notified Body:
 Baseefa Ltd., Rockhead Business Park,
 Staden Lane, Buxton, SK17 9JN, UK.
 Notified body number: **1180**

EC/EU Type examination certificate:
Baseefa 07ATEX0091X

'X' condition - Dust layers must be prevented from building up on the torch and it must not be left energised and unattended in Zone 20 areas.

Harmonised Standards Applied:
 EN 60079-0:2012 +A11:2013, EN 60079-11:2012

Ingress Protection Level: **IP67** to EN60529:1992

The TS/TR-30+/35+ is certified compliant with the:-
 a) 2004/108/EC EMC Directive (up to 19th April 2016).
 b) 2014/30/EU EMC Directive (from 20th April 2016).

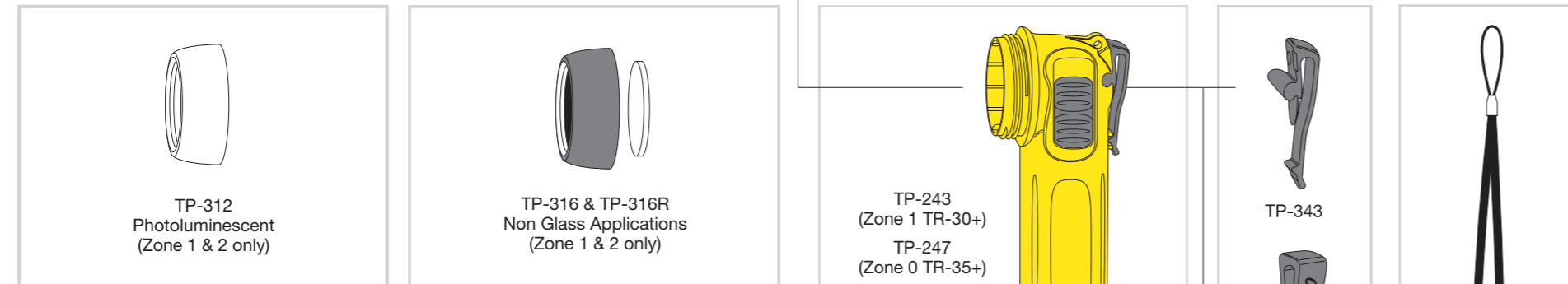
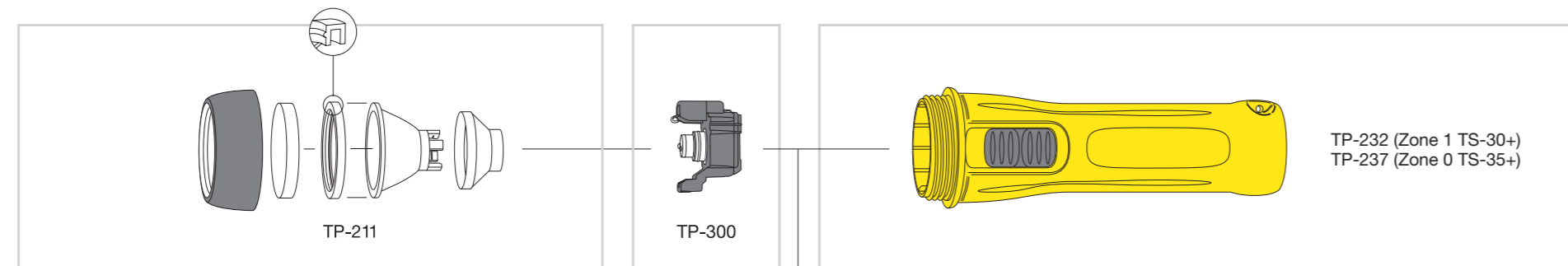
To the following harmonised standards
 BS EN 55015:2006 +A2:2009 and BS EN 61547:2009

Alex Jackson - Managing Director
 Wolf Safety Lamp Company Ltd.

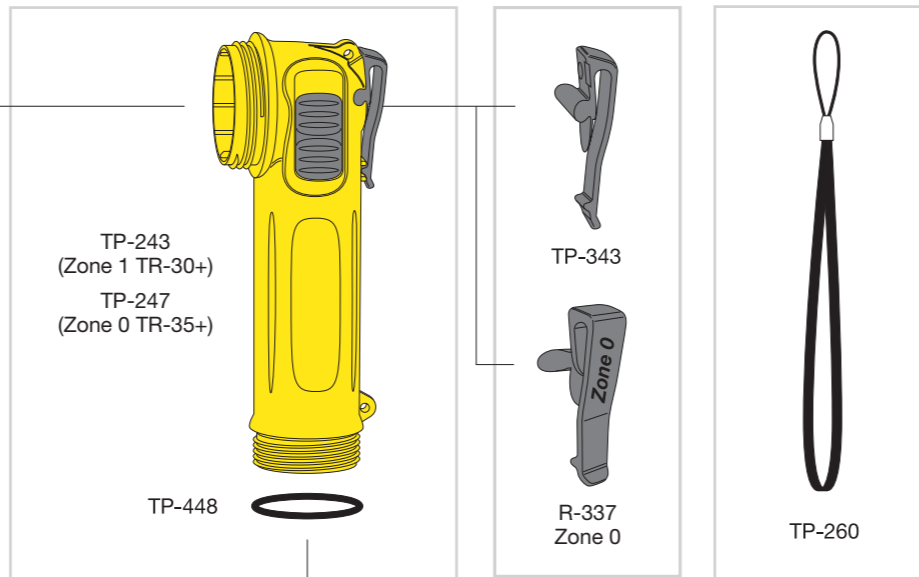
Photobiological safety to EN 62471:2008

Risk Group 2
CAUTION: Possible hazardous optical radiation emitted from this product DO NOT stare at operating lamp. May be harmful to the eye.

Use only genuine Wolf replacements parts.
 The Wolf Safety Lamp Co. Ltd has a policy of continuous product improvement. Changes in design details may be made without prior notice.



Spare Parts	
TP-211	Lens Ring Assembly Glass
TP-232	LED Straight Torch Body Assembly Zone 1 & 2
TP-243	LED Right Angle Torch Body Assembly Zone 1 & 2
TP-237	LED Straight Torch Body Assembly Zone 0
TP-247	LED Right Angle Torch Body Assembly Zone 0
TP-300	LED Module
TP-343	Clip Moulding Zone 1 & 2
R-337	Clip Moulding Zone 0
TP-448	Base 'O' Seal
TP-250	End Cap Assembly
TP-260	Wrist Strap
H-20	LR20 Cell
TP-312	Lens Ring Photoluminescent Zone 1 & 2
TP-316	Polycarbonate Lens and Ring Kit Zone 1 & 2
TP-316R	Red Polycarbonate Lens and Ring Kit Zone 1 & 2



IECEx Approval
 IECEx Scheme Certificate Number:
IECEx BAS 06.0089X
 Models TS-30+, TR-30+
Ex ib IIC T4 Gb IP67 / Ex ia IIIB T130°C Db
Ex ib I Mb
 TS-30+ Temperature Ambient: -20°C to 40/55°C
 TR-30+ Temperature Ambient: -30°C to 40/55°C
 Models TS-35+, TR-35+
Ex ia IIC T4 Ga IP67 / Ex ia IIIB T130°C Da
Ex ia I Ma
 TS-35+ Temperature Ambient: -20°C to 40/55°C
 TR-35+ Temperature Ambient: -30°C to 40/55°C
 IEC Standards Applied: IEC 60079-0:2011,
 IEC 60079-11:2011.
 Ingress Protection Level: **IP67** to IEC 60529:2001
 Only use cell types as specified in instruction.

TS-30+ | **M2/II 2GD Ex ib I Mb/IIC T4 Gb -20°C ≤ Ta ≤ 40/55°C Ex ib IIIB T130°C Db**
TR-30+ | **M2/II 2GD Ex ib I Mb/IIC T4 Gb -30°C ≤ Ta ≤ 40/55°C Ex ib IIIB T130°C Db**
TS-35+ | **M1/II 1GD Ex ia I Ma/IIC T4 Ga -20°C ≤ Ta ≤ 40/55°C Ex ia IIIB T130°C Da**
TR-35+ | **M1/II 1GD Ex ia I Ma/IIC T4 Ga -30°C ≤ Ta ≤ 40/55°C Ex ia IIIB T130°C Da**

G (Gas): T4
D (Dust): T130°C
Temperature Ambient
 TR -30°C ≤ Ta ≤ 40°C
 TS -20°C ≤ Ta ≤ 40°C

LR20

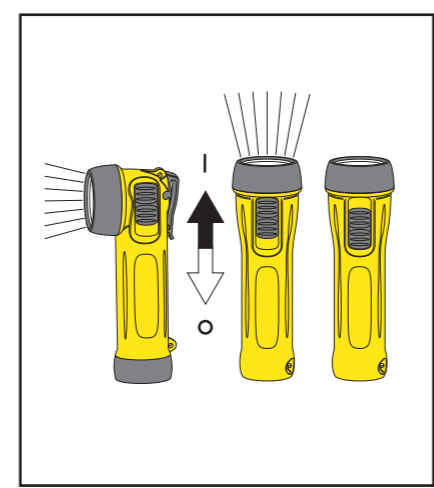
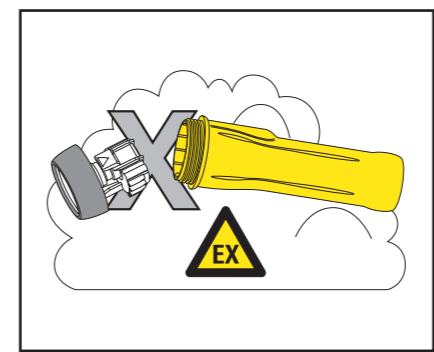
Wolf H-20 ✓
 Cegasa Alkaline
 Duracell Alkaline
 Duracell Industrial
 Duracell Plus
 Duracell Procell
 Duracell Ultra
 Energizer Alkaline
 Energizer Industrial
 Eveready Gold
 Exide Alkaline
 Hi-Tech Alkaline Professional
 Kodak Alkaline
 Pifco Optimax Alkaline
 Rayovac Maximum
 RS Alkaline
 Sanyo Alkaline
 Varta Universal Alkaline
 Varta Alkaline Value Pack
 Varta Electric Power

G (Gas): T4
D (Dust): T130°C
Temperature Ambient
 TR -30°C ≤ Ta ≤ 55°C
 TS -20°C ≤ Ta ≤ 55°C

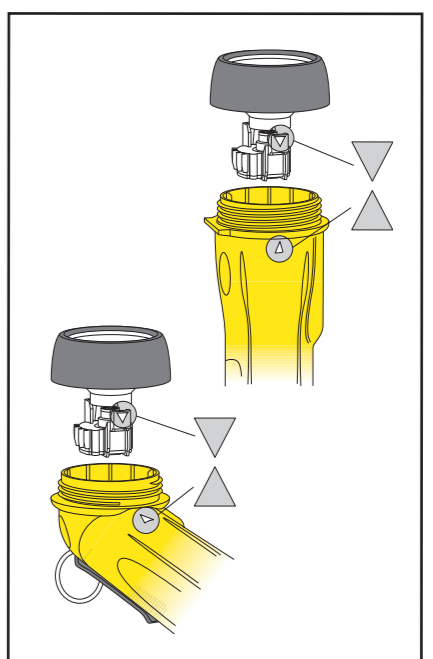
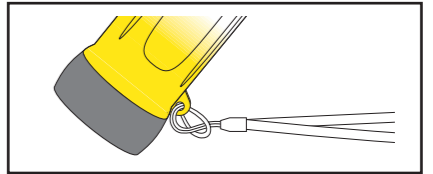
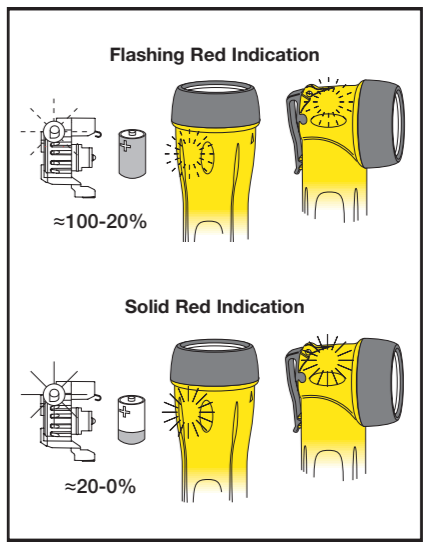
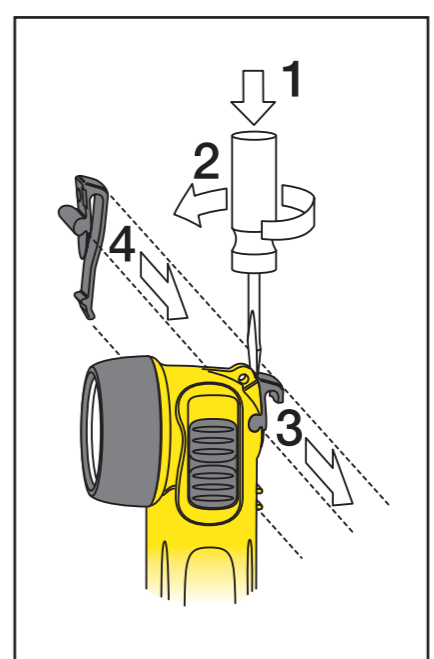
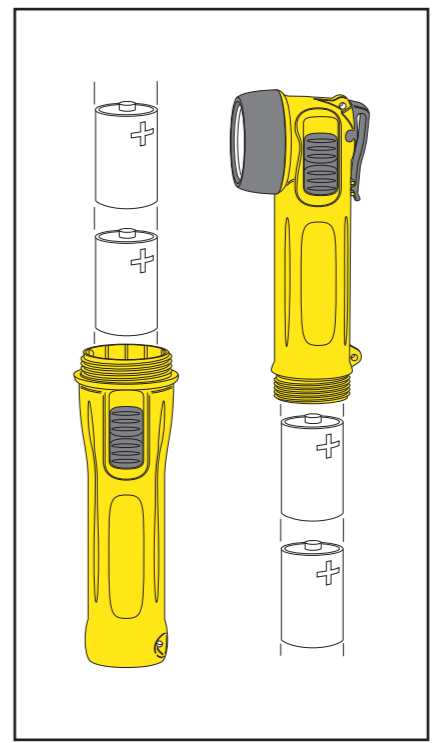
LR20

Wolf H-20 ✓
 Duracell Ultra
 Energizer Alkaline
 Energizer Industrial
 Eveready Gold

EN IEC 60079:-



Risk Group 2
CAUTION: Possibly hazardous optical radiation emitted from this product. Do not stare at operating lamp. May be harmful to the eye.



Wolf Safety Lamp Company

WOLF ATEX
SAFETY TORCH
WITH LED

ATEX approved for explosive gas and dust atmospheres

THORNE & DERRICK INTERNATIONAL www.heatingandprocess.com
 +44 (0) 191 410 4292

TS-30+ & TR-30+
TS-35+ & TR-35+

OPERATION AND MAINTENANCE INSTRUCTIONS

