

Features

- Enclosures manufactured from copper-free aluminum or AISI 316L stainless steel
- Suitable for operation in Zones 1, 2, 21 and 22
- Certified Ex d IIC and Ex tb
- More than 50 enclosure size options
- Free configuration of cable entries and terminals for customized terminal boxes
- Customizable configuration of operating elements and cable gland types as per specification
- Integration of electrical components and control elements as per customer specification
- Choice of viewing windows for monitoring instruments

Assembly Examples



Function

The GUB series of Ex d IIC certified enclosures forms the optimal basis for the application-specific configuration of terminal boxes as well as control and distribution panels. A wide range of components and control functions can be integrated in one out of more than 50 sizes of Ex d and Ex tb certified flameproof enclosures. They are manufactured from copper-free aluminum with increased corrosion resistance or from high-quality stainless steel. This durability and the comprehensive enclosure sizes cover the requirements of many industries including offshore and marine applications. A choice of windows and enclosure extensions are available for both aluminium and stainless steel variants. Electrical components can be integrated as per customer specification.

Type code / model number

Type

GUB enclosure Ex d IIC

: **Material**

: copper-free aluminum

: **X** stainless steel

: : **Window**

: : no window

: : **W** window

: : : **Enclosure variant**

: : : standard variant

: : : **E** variant with extension

: : : : **Enclosure size**

: : : : **00 ... 5** see dimensions data table

: : : : : **further definition**

: : : : : digits for function definition, not fixed

: : : : : **Variant number**

: : : : : Yxxxxxx

GUB							-Yxxxxxx
GUB		W	E	3			-Y123456 (example: GUB size 3 in aluminum with extension and window)

Release date 2016-03-21 T164870



THORNE & DERRICK
INTERNATIONAL

Thorne & Derrick
+44 (0) 191 410 4292
www.heatingandprocess.com



Technical Data Enclosure GUB* Ex d IIC in Aluminum and Stainless Steel**Electrical specifications**

Operating voltage	660 V DC / 1000 V AC max.
Operating current	1600 A max.

Mechanical Specification GUB*

Dimensions	see dimensions data table
Cover fixing	threaded cover
Protection degree	IP66 (optional variants IP66/67 with O-ring)
Cable entry	see enclosure entries table

Material

Enclosures	copper-free aluminum alloy or AISI 316L (1.4404) stainless steel
Finish	aluminum: epoxy coated grey RAL7005 stainless steel: surface shot-peened
Seal	none
Weight	see dimension data tables
Grounding	M6 external grounding stud, internal M5 or M6
Window	thermo-resistant tempered glass

Ambient conditions

Ambient temperature	-50 °C ... 60 °C (-58 °F ... 140 °F) -20 °C ... 60 °C (-4 °F ... 140 °F) GUB*5* and GUBX*5*
---------------------	--

Data for application in connection with Ex-areas

EC-Type Examination Certificate	INERIS 14ATEX0035X
Group, category, type of protection, temperature class	⊕ II 2 GD Ex d IIC T6, T5, T4, T3 Gb Ex tb IIIC T85 °C, T100 °C, T135 °C, T200 °C Db

International approvals

IECEx approval	IECEx INE 14.0042X
----------------	--------------------

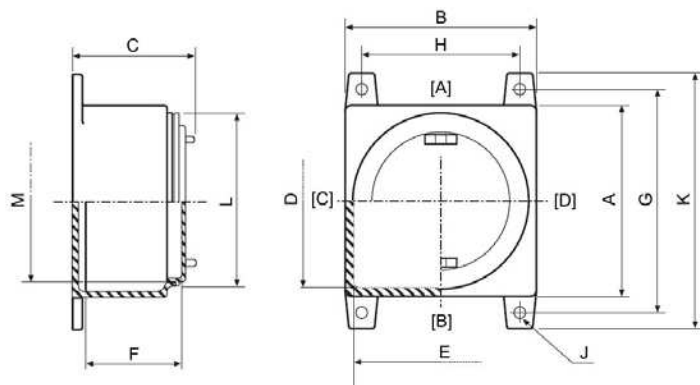
Conformity

Protection degree	EN 60529
-------------------	----------

General information

Supplementary information	EC-Type Examination Certificate, Statement of Conformity, Declaration of Conformity, Attestation of Conformity and instructions have to be observed where applicable. For information see www.pepperl-fuchs.com .
Ordering information	This device will be delivered completely engineered and assembled ready for use. For customization details please contact Pepperl+Fuchs.

Dimensions GUB, Aluminum



Legend

- A - Maximum external dimension
- B - Maximum external dimension
- C - Maximum external dimension, depth
- D - Internal dimension
- E - Internal dimension
- F - Internal depth to surface of mounting plate
- G - Mounting holes center
- H - Mounting holes center
- J - Mounting holes diameter
- K - Maximum external dimension with mounting brackets
- L - Diameter cover or window
- M - Diameter body access
- [A] ... [D] - Entry faces

For details see dimensions data tables

Dimensions Data Table GUB

Type	Dimensions (1) [mm]				Dimensions (1) internal [mm]				Mounting [mm]			Cover [mm]	Body access [mm]	Weight approx. (2)	Power dissipation (3)	Mounting brackets
	A	B	C	K	D	E	F	G	H	Diam. J	Diam. L	Diam. M	[kg]	max. [W]	quantity	
GUB 00	119	119	137	170	92	92	98	145	95	8	112	97	2	35	2	
GUB 0	150	150	145	205	125	125	117	178	125	8	136	114	3.5	60	2	
GUB 0H	150	150	185	205	125	125	150	178	125	8	136	114	4.5	75	2	
GUB 1	200	200	160	255	170	170	110	228	178	10	189	163	6.4	60	2	
GUB 1H	200	200	200	255	170	170	150	228	178	10	189	163	7.6	75	2	
GUB 1PF	176	176	139	220	150	150	105	196	154	10	170	147	6.4	50	2	
GUB 2	250	250	160	305	225	225	112	275	232	10	231	206	8.5	80	4	
GUB 3	255	255	215	310	228	228	165	285	228	10	231	206	11.5	150	4	
GUB 3L	360	360	245	430	325	325	183	395	318	10	348	320	21	280	4	
GUB 4 (-20 °C)	450	450	305	530	410	410	227	485	410	10	437	406	43.5	400	4	
GUB 4 (-50 °C)	450	450	305	530	410	410	215	485	410	10	437	406	53.5	400	4	
GUB 4A (-20 °C)	450	450	235	530	410	410	157	485	410	10	437	406	38	310	4	
GUB 4A (-50 °C)	450	450	235	530	410	410	145	485	410	10	437	406	48	310	4	
GUB 5 (4)	550	550	350	640	510	510	250	595	513	10	536	504	60.5	600	4	

(1) Real values can slightly differ due to casting tolerances

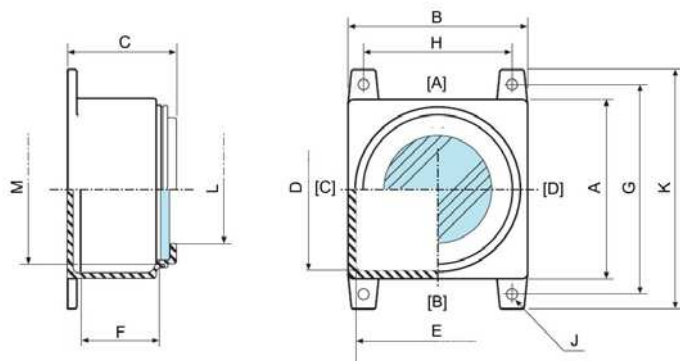
(2) Weight shows empty enclosures, it will increase according to installed components

(3) Max. power dissipation at T4/40 °C

(4) Min. ambient temperature -20 °C

GUB* 4, GUB* 4A variants for minimum ambient temperature

Dimensions GUBW, Aluminum with Window



Legend

- A - Maximum external dimension
- B - Maximum external dimension
- C - Maximum external dimension, depth
- D - Internal dimension
- E - Internal dimension
- F - Internal depth to surface of mounting plate
- G - Mounting holes center
- H - Mounting holes center
- J - Mounting holes diameter
- K - Maximum external dimension with mounting brackets
- L - Diameter cover or window
- M - Diameter body access
- [A] ... [D] - Entry faces

For details see dimensions data tables

Dimensions Data Table GUBW

Type	Dimensions (1) [mm]				Dimensions (1) internal [mm]				Mounting [mm]		Window [mm]	Body access [mm]	Weight approx. (2)	Power dissipation (3)	Mounting brackets
	A	B	C	K	D	E	F	G	H	Diam. J	Diam. L	Diam. M	[kg]	max. [W]	quantity
GUBW 00	119	119	125	170	92	92	85	145	95	8	64	97	2.1	35	2
GUBW 0	150	150	137	205	125	125	105	178	125	8	79	114	3.6	60	2
GUBW 0H	150	150	173	205	125	125	137	178	125	8	79	114	4.6	75	2
GUBW 1	200	200	140	255	170	170	95	228	178	10	121	163	6.3	60	2
GUBW 1H	200	200	180	255	170	170	135	228	178	10	121	163	7.5	75	2
GUBW 2	250	250	140	305	225	225	97	196	154	10	160	206	9	80	4
GUBW 3	250	250	193	310	225	225	150	275	232	10	160	206	11	150	4
GUBW 3L	360	360	220	430	325	325	160	285	228	10	260	320	22	280	4
GUBW 4 (-20 °C)	450	450	270	530	410	410	203	395	318	10	260	406	44	400	4
GUBW 4 (-50 °C)	450	450	270	530	410	410	203	485	410	10	260	406	51	400	4
GUBW 4A (-20 °C)	450	450	200	530	410	410	133	485	410	10	260	406	39	310	4
GUBW 4A (-50 °C)	450	450	200	530	410	410	133	485	410	10	260	406	46	310	4
GUBW 5 - WG1 (4)	550	550	350	640	510	510	250	485	410	10	121	504	60	600	4
GUBW 5 - WG2 (4)	550	550	350	640	510	510	250	595	513	10	160	504	60	600	4

(1) Real values can slightly differ due to casting tolerances

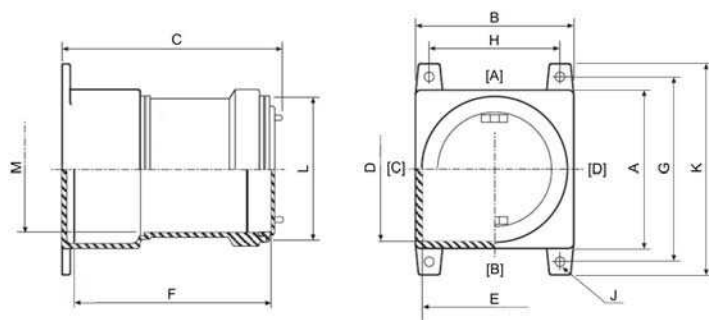
(2) Weight shows empty enclosures, it will increase according to installed components

(3) Max. power dissipation at T4/40 °C

(4) Min. ambient temperature -20 °C

GUB* 4, GUB* 4A variants for minimum ambient temperature

Dimensions GUBE, Aluminum with Extension



Legend

- A - Maximum external dimension
- B - Maximum external dimension
- C - Maximum external dimension, depth
- D - Internal dimension
- E - Internal dimension
- F - Internal depth to surface of mounting plate
- G - Mounting holes center
- H - Mounting holes center
- J - Mounting holes diameter
- K - Maximum external dimension with mounting brackets
- L - Diameter cover or window
- M - Diameter body access
- [A] ... [D] - Entry faces

For details see dimensions data tables

Dimensions Data Table GUBE

Type	Dimensions (1) [mm]				Dimensions (1) internal [mm]				Mounting [mm]		Cover [mm]	Body access [mm]	Weight approx. (2)	Power dissipation (3)	Mounting brackets
	A	B	C	K	D	E	F	G	H	Diam. J	Diam. L	Diam. M	[kg]	max. [W]	quantity
GUBE 0	150	150	252	205	125	125	224	178	125	8	136	114	2.3	90	2
GUBE 0H	150	150	292	205	125	125	255	178	125	8	136	114	4.8	90	2
GUBE 1	200	200	305	255	170	170	255	228	178	10	189	163	9.1	100	2
GUBE 1H	200	200	345	255	170	170	295	228	178	10	189	163	10.4	120	2
GUBE 2	250	250	340	305	225	225	295	275	232	10	231	206	13	155	4
GUBE 3	250	250	395	310	225	225	345	285	228	10	231	206	15.2	240	4
GUBE B3L	360	360	405	430	325	325	345	395	318	10	348	320	32.5	400	4
GUBE 3L	360	360	495	430	325	325	435	395	318	10	348	320	35	500	4
GUBE 4 (-20 °C)	450	450	545	530	410	410	470	485	410	10	437	406	59	640	4
GUBE 4 (-50 °C)	450	450	545	530	410	410	457	485	410	10	437	406	69	640	4
GUBE 4A (-20 °C)	450	450	475	530	410	410	397	485	410	10	437	406	54	560	4
GUBE 4A (-50 °C)	450	450	475	530	410	410	384	485	410	10	437	406	64	560	4

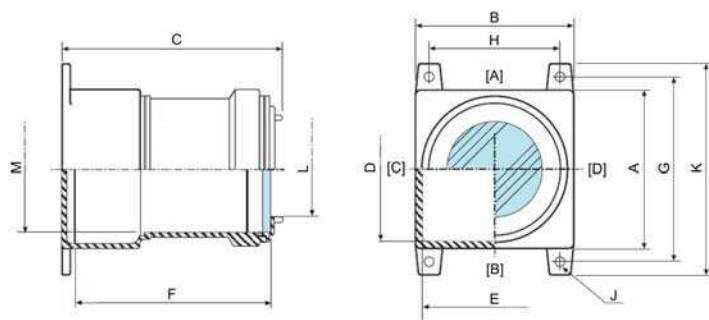
(1) Real values can slightly differ due to casting tolerances

(2) Weight shows empty enclosures, it will increase according to installed components

(3) Max. power dissipation at T4/40 °C

GUB* 4, GUB* 4A variants for minimum ambient temperature

Dimensions GUBWE, Aluminum with Extension and Window



Legend

- A - Maximum external dimension
- B - Maximum external dimension
- C - Maximum external dimension, depth
- D - Internal dimension
- E - Internal dimension
- F - Internal depth to surface of mounting plate
- G - Mounting holes center
- H - Mounting holes center
- J - Mounting holes diameter
- K - Maximum external dimension with mounting brackets
- L - Diameter cover or window
- M - Diameter body access
- [A] ... [D] - Entry faces

For details see dimensions data tables

Dimensions Data Table GUBWE

Type	Dimensions (1) [mm]				Dimensions (1) internal [mm]				Mounting [mm]		Window [mm]	Body access [mm]	Weight approx. (2)	Power dissipation (3)	Mounting brackets
	A	B	C	K	D	E	F	G	H	Diam. J	Diam. L	Diam. M	[kg]	max. [W]	quantity
GUBWE 0	150	150	245	205	125	125	212	178	125	8	79	114	3.5	90	2
GUBWE 0H	150	150	280	205	125	125	242	178	125	8	79	114	5	90	2
GUBWE 1	200	200	285	255	170	170	240	228	178	10	121	163	9	100	2
GUBWE 1H	200	200	325	255	170	170	280	228	178	10	121	163	10.3	120	2
GUBWE 2	250	250	320	305	225	225	280	275	232	10	160	206	12.5	155	4
GUBWE 3	250	250	373	310	225	225	330	285	228	10	160	206	15.5	240	4
GUBWE B3L	360	360	380	430	325	325	322	395	318	10	260	320	33.5	400	4
GUBWE 3L	360	360	470	430	325	325	412	395	318	10	260	320	36	500	4
GUBWE 4 (-20 °C)	450	450	510	530	410	410	445	485	410	10	260	406	61	640	4
GUBWE 4 (-50 °C)	450	450	510	530	410	410	445	485	410	10	260	406	68	640	4
GUBWE 4A (-20 °C)	450	450	440	530	410	410	372	485	410	10	260	406	56	560	4
GUBWE 4A (-50 °C)	450	450	440	530	410	410	372	485	410	10	260	406	63	560	4

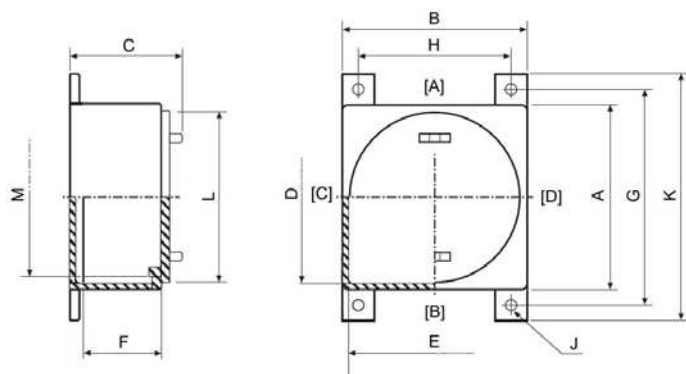
(1) Real values can slightly differ due to casting tolerances

(2) Weight shows empty enclosures, it will increase according to installed components

(3) Max. power dissipation at T4/40 °C

GUB* 4, GUB* 4A variants for minimum ambient temperature

Dimensions GUBX, Stainless Steel – Versions with Extension as well as Window available, too



Legend

- A - Maximum external dimension
- B - Maximum external dimension
- C - Maximum external dimension, depth
- D - Internal dimension
- E - Internal dimension
- F - Internal depth to surface of mounting plate
- G - Mounting holes center
- H - Mounting holes center
- J - Mounting holes diameter
- K - Maximum external dimension with mounting brackets
- L - Diameter cover or window
- M - Diameter body access
- [A] ... [D] - Entry faces

For details see dimensions data tables

Stainless steel GUBX enclosures are available with extensions and various viewing windows, too
For details please contact Pepperl+Fuchs

Dimensions Data Table GUBX

Type	Dimensions (1) [mm]				Dimensions (1) internal [mm]				Mounting [mm]			Cover [mm]	Body access [mm]	Weight approx. (2)	Power dissipation (3)	Mounting brackets
	A	B	C	K	D	E	F	G	H	Diam. J	Diam. L	Diam. M	[kg]	max. [W]	quantity	
GUBX 00	118	118	135	170	92	92	98	145	95	8	112	97	7	35	2	
GUBX 0	150	150	153	205	125	125	113	178	125	8	136	114	12	60	2	
GUBX 0H	150	150	190	205	125	125	150	178	125	8	136	114	16	75	2	
GUBX 1	200	200	157	255	173	173	110	228	178	10	189	163	23	60	2	
GUBX 1H	200	200	197	255	173	173	150	228	178	10	189	163	27	75	2	
GUBX 1PF	176	176	137	220	150	150	95	196	154	10	170	147	23	50	2	
GUBX 2	252	252	160	305	225	225	106	275	232	10	235	206	30	80	4	
GUBX 3	258	258	215	310	225	225	165	285	228	10	235	206	37	150	4	
GUBX 3L (5)	360	360	225	430	325	325	185	395	318	10	348	320	91	280	4	
GUBX 4 (-20 °C) (5)	450	450	278	530	410	410	228	485	410	10	437	406	150	400	4	
GUBX 4 (-50 °C) (5)	450	450	290	530	410	410	228	485	410	10	437	406	180	400	4	
GUBX 4A (-20 °C) (5)	450	450	208	530	410	410	158	485	410	10	437	406	125	310	4	
GUBX 4A (-50 °C) (5)	450	450	220	530	410	410	158	485	410	10	437	406	155	310	4	
GUBX 5 (4) (5)	550	550	380	640	510	510	288	595	513	10	536	504	216	600	4	

(1) Real values can slightly differ due to manufacturing tolerances

(2) Weight shows empty enclosures, it will increase according to installed components

(3) Max. power dissipation at T4/40 °C

(4) Min. ambient temperature -20 °C

(5) Dimension 'C' without handle

GUB* 4, GUB* 4A variants for minimum ambient temperature

Refer to "General Notes Relating to Pepperl+Fuchs Product Information".

Pepperl+Fuchs Group
www.pepperl-fuchs.com

USA: +1 330 486 0002
pa-info@us.pepperl-fuchs.com

Germany: +49 621 776 2222
pa-info@de.pepperl-fuchs.com

Singapore: +65 6779 9091
pa-info@sg.pepperl-fuchs.com

Enclosure Entries - maximum quantity per size

Type	Cover	Entry faces [A] ... [D]								
		M12 1/4"	M20 1/2"	M25 3/4"	M32 1"	M42 1.1/4"	M50 1.1/2"	M63 2"	M75 2.1/2"	M85 3"
GUB* 00	1	4	3	2	1	1	1	-	-	-
GUB* 0	1	6	5	3	2	2	1	1	-	-
GUB* 0H	1	8	8	5	3	3	1	1	1	-
GUB* 1	2	8	8	5	4	3	2	1	1	-
GUB* 1H	2	8	8	5	4	4	2	1	1	-
GUB* 1PF	1	8	8	5	3	3	1	1	1	-
GUB* 2	3	10	10	5	4	3	3	2	-	-
GUB* 3	3	15	15	8	6	6	3	2	2	-
GUB* 3L	8	18	17	11	8	8	5	3	2	1
GUB* 4	10	21	21	18	14	14	8	5	4	1
GUB* 4A	10	20	17	12	10	10	4	3	3	-
GUB* 5	10	32	30	26	17	14	8	5	4	1

Metric ISO pitch 1.5 mm, NPT ANSI ASME B1.20.1

For types of cable glands and combination of different gland sizes please contact Pepperl+Fuchs

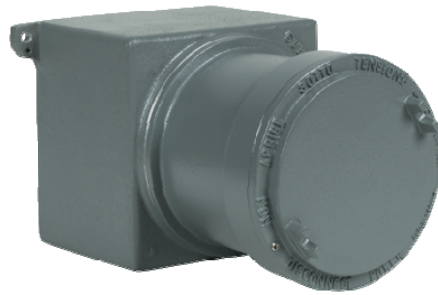
Enclosure Entries - maximum quantity per size

Type	Bottom				
	M20 1/2"	M25 3/4"	M32 1"	M42 1.1/4"	M50 1.1/2"
GUB* 00	1	1	1	-	-
GUB* 0	2	2	1	-	-
GUB* 0H	2	2	1	-	-
GUB* 1	2	2	2	-	-
GUB* 1H	2	2	2	-	-
GUB* 1PF	2	2	1	-	-
GUB* 2	10	2	2	-	-
GUB* 3	10	3	2	-	-
GUB* 3L	3	3	2	-	-
GUB* 4	3	3	3	3	3
GUB* 4A	3	3	3	3	3
GUB* 5	6	6	4	3	3

Metric ISO pitch 1.5 mm, NPT ANSI ASME B1.20.1

For types of cable glands and combination of different gland sizes please contact Pepperl+Fuchs

Solution Examples



Release date 2016-03-21 T164870



THORNE &
DERRICK
INTERNATIONAL

Thorne & Derrick
+44 (0) 191 410 4292
www.heatingandprocess.com

PEPPERL+FUCHS
PROTECTING YOUR PROCESS