

SP and CS1000 are safe, reliable and high-performance single pole connectors for applications requiring high electrical power with a high capacity to absorb frequent overcurrents up to 10*I_n.

SP and CS1000 are robust connectors with a long service life without replacement of wearing parts.

SP and CS1000 comply with the following regulations(a) :
European Low Voltage Directive and RoHS (affixing of CE marking), European REACH Regulation.

SP is certified by the following certification bodies:
CSA (Canada), Bureau Veritas Marine, TR CU (Russia), Mil-S-901D (Military), Intertek-RETIE (Colombia).

CS1000 is certified by the following certification bodies:
UL (USA), CSA (Canada), TR CU (Russia), Intertek-RETIE (Colombia).

SP is equipped with an electromechanical mechanism connected to power supply breaking devices located upstream in the electrical installation to be controlled with 2 pilot wires.

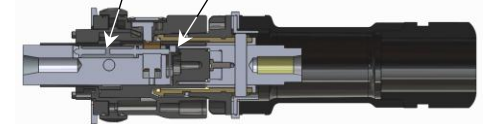


General information		CS1000	SP
(b)	I _n	500 A	800 A
	U _{max} (V AC/V DC)	1000/1500	1000/1500
(c)	Frequency max. (Hz)	500 Hz	500 Hz
(d)	Number of contacts	1	1
(e)	Number of keying positions	1 2 3 N E	1 2 3 N E
	Connection (min - max): mm ²		
	Flexible conductors (Cu): main contacts	50 - 300	50 - 630
	Rigid/stranded conductors (Cu): main contacts	70 - 400	70 - 630
	Tightening torque - main contacts (Nm)	40 N.m	40 N.m
	Wiring lugs	To crimp	
	I _{cc} : conditional short circuit current (kA)	23 kA/250 ms	
Pilots contacts			
	I _n		10 A
	U _{max}		250 V AC
(f)	Number of pilots contacts		1
	Connection (min - max): mm ²		
	Flexible wiring		1.5
	Tightening torque (Nm)		Pre-wired
Number of operations			
	Mechanical	2000	2000
Thermal features			
	Temperature of use Min/Max (°C)	-40/+60°C	-40/+60°C
	Storage temperature Min/Max: (°C)	-40/+80 °C	-40/+80 °C
	Maximal temperature rise (Kmax)	56 K	49 K
	Time constant (to reach 63 % of Kmax)	30 mn	38 mn

CS1000



SP



A : Contact spring

B : Contacts with
Silver Nickel alloy tips (Ag/Ni : 85/15) : CS1000
Silver tips (Ag) : SP

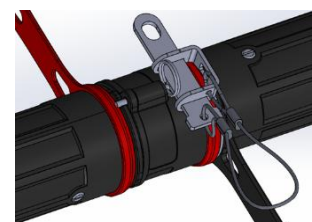
Contact for lug with hole
(Ø 12 mm)



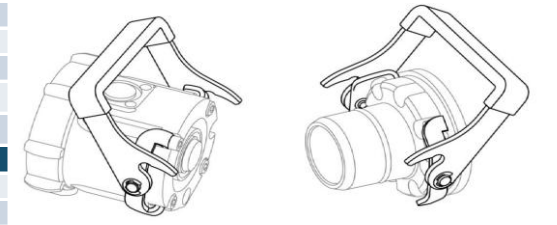
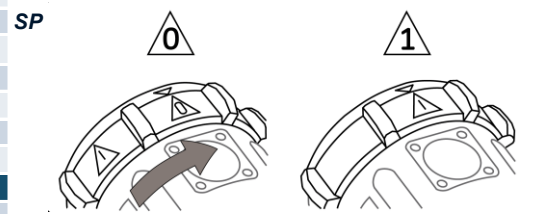
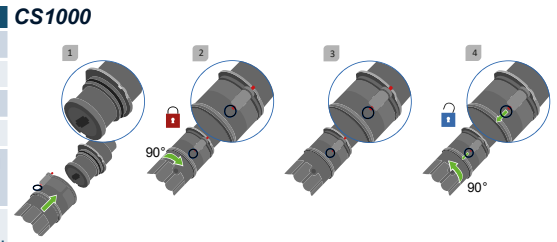
Straight threaded lug (M12)



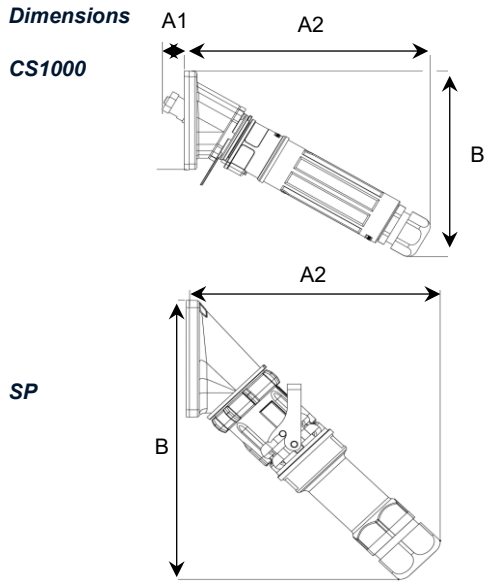
CS1000 : Mechanical locking/padlocking device



Mechanical features		CS1000	SP
(g)	Watertightness : connected device	IP66/IP67	IP66/IP67
(g)	Watertightness: lid/cap closed	IP66/IP67	IP66/IP67
(g)	Watertightness : socket-outlet with lid/cap opened	IP2X	IP2X
(h)	Mechanical resistance - IK	IK08	IK08
	Retaining/releasing device	Locking pin	Locking ring
(i)	Casing	GRP (poly)	Metal overmoulded in GRP
	Standard color	Black	Black
	Other colors		
	Vibrations resistance	✓	✓
	Resistance to chemical agents	Contact us	
	Protection against UV (according to UL 746C or equivalent)	f1	
	Corrosion resistance, marine environment	> 50 000 h	
	Weight of inlet without accessory (≈)	0.3 kg	0.7 kg
	Weight of socket-outlet without accessory (≈)	0.4 kg	0.9 kg
Main options			
	Inlet cap	IP66/IP67	Included
	Locking / padlocking	✓	✓
Mounting accessories			
	Flush mounting on electrical cabinet	With plate	
	Sleeve: material / angle (°)	Poly/30	Alu/45
	Threaded poly straight handle	M32 - M63	M50 - M63
(i)	Adaptator plate for handle M50 or M63	✓	
(k)	Operating lever		✓
Spare parts			
	Inlet or socket-outlet colored gasket	✓	✓
	Gaskets	✓	✓
Catalog: Web link		Click !	Click !

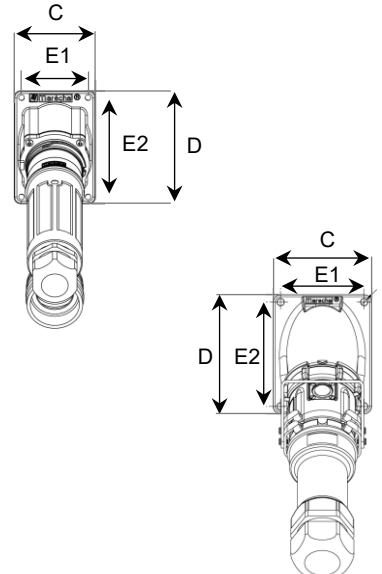


Operating lever installed on the socket-outlet side Operating lever installed on the inlet side



mm	CS1000 M32 - M40	CS1000 M50	CS1000 M63
A1	18	18	18
A2	257	263	305
B	202	213	238
C	77	77	77
D	108	108	108
E1	63	63	63
E2	95	95	95

mm	SP M50	SP M63
A1	/	/
A2	250	275
B	302	326
C	105	105
D	128	128
E1	89	89
E2	112	112



- (a) European Regulation REACH: registration, evaluation, authorisation and restriction of chemicals
- (b) In : Rated current as defined by the manufacturer
- (c) Other frequency: contact us
- (d) CS1000: Solid 85/15 silver-nickel tipped contact
SP: Solid silver-tipped contact
- (e) Mechanical keying position and colour-coded between contacts: phases / neutral / earth / + / -
- (f) SP is equipped with an electromechanical mechanism, to be connected to an upstream switchgear by means of 2 pilot wires
- (g) IP : Degrees of protection provided by enclosures (IEC/EN 60529)
- (h) IK : Degrees of protection provided by enclosures against mechanical impacts (IEC/EN 62262)
- (i) GRP : Glass-reinforced technical plastic
- (j) Mandatory adaptator plate for handles M50 or M63
- (k) The operating lever use is mandatory. It could be installed on the inlet or on the socket-outlet side