

INCREASED SAFETY

Push Button Stations EFXE Series - Aluminium



Push button stations EFXE Series, made of aluminium with low content of copper, are manufactured by using aluminium enclosures AQ../AR.. Series. They are designed to meet the requirements for use ON and OFF-SHORE, in petrochemical and marine applications and for any other industry where an explosive atmosphere may be present.

They can be equipped with following Ex de certified components:

- Standard and emergency push buttons;
- Rotating switches;
- Signalling lamps;
- Measurement instruments.

TECHNICAL FEATURES

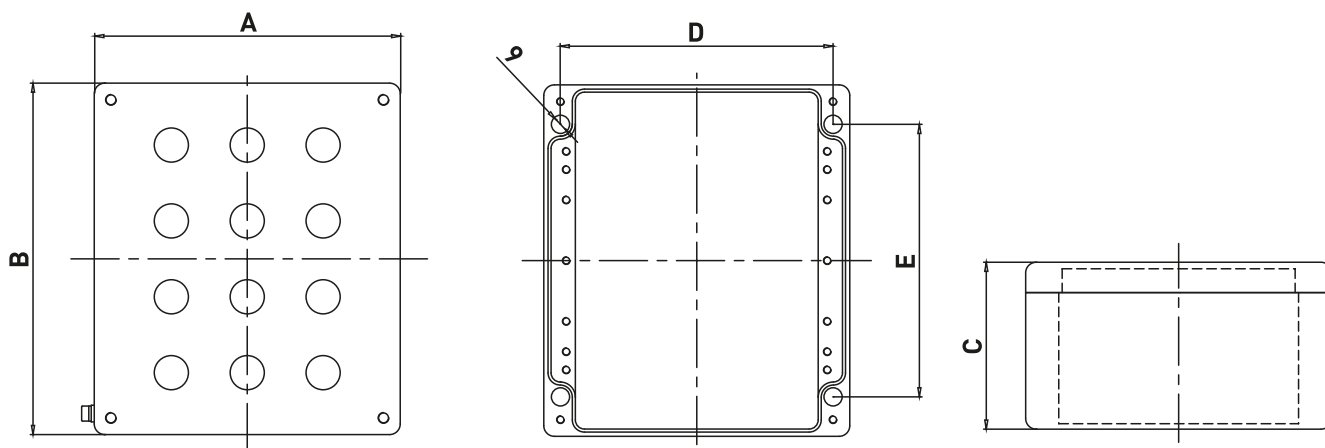
Material	Aluminium with low content of copper
IP rating	IP66/IP67
Ambient temperature range	-50°C to +60°C (ATEX) -50°C to +95°C (IECEX)
Approvals	IMQ 08 ATEX 028X IECEX IMQ 15.0002X TR CU
Marking	II 2 GD Ex de IIC T(**) Gb / Ex mb IIC T(**) Gb Ex tb IIIC T(**) Db IP66/67 ** T6/T85°C, T5/T100°C, T4/T135°C
Surface treatment	Standard with polyester powder coating RAL 7001
Standard certificate label	Made by self adhesive UV and corrosion resistant polyester, approved by INERIS Laboratory.
Accessories available upon request	Hinges Drain/breather valve Traffolyte/Stinless steel certificate label Internal mounting plate Passing through earth bolt



**THORNE &
DERRICK**
INTERNATIONAL

Thorne & Derrick
+44 (0) 191 410 4292
www.heatingandprocess.com

Dimensions EFXE



EFXE Series - Aluminium push button stations

CODE	TYPE	DIMENSIONS				
		A	B	C	E	F
B0201.081809	EFXE-0818	80	175	80	52	162
B0201.082506	EFXE-0825	80	250	80	51	237
B0201.101609	EFXE-1015	100	150	80	64	134
B0201.101009	EFXE-1010	100	100	81	66	86
B0201.121210	EFXE-1212	120	122	81	83	106
B0201.122211	EFXE-1222	120	220	90	82	204
B0201.161610	EFXE-1616	160	160	90	110	140
B0201.165610	EFXE-1624	160	240	100	123	225
B0201.163610	EFXE-1636	160	360	91	110	340
B0201.232012	EFXE-2023	202	232	110	180	180
B0201.232812	EFXE-2328	230	280	110	181	261
B0201.233314	EFXE-2333	231	331	120	177	311



THORNE &
DERRICK
INTERNATIONAL

Thorne & Derrick
+44 (0) 191 410 4292
www.heatingandprocess.com