

## INCREASED SAFETY

# Push Button Stations EFE Series – Glassfiber reinforced polyester



Push button stations EFE Series, made of GRP, are manufactured by using enclosure AQ../AR.. Series.

They are designed to meet the requirements for use ON and OFF-SHORE, in petrochemical and marine applications and for any other industry where an explosive atmosphere may be present.

They can be equipped with following Ex de certified components:

- Standard and emergency push buttons;
- Rotating switches;
- Signalling lamps;
- Measurement instruments.

## TECHNICAL FEATURES

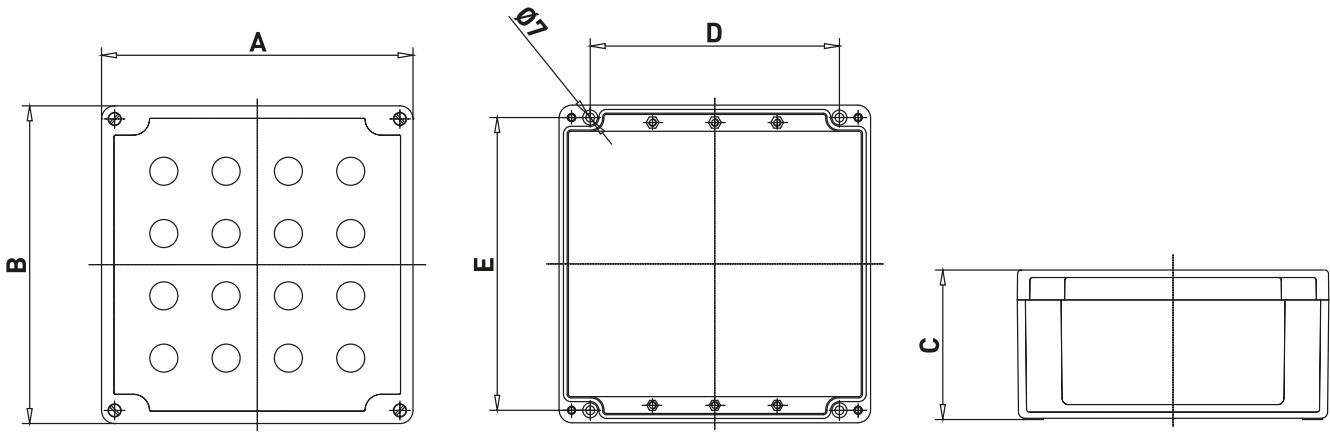
|   |   |
|---|---|
| <b>Material</b>                           | GRP (Glassfiber reinforced polyester)   |
| <b>IP rating</b>                          | IP66/IP67   |
| <b>Ambient temperature range</b>          | -50°C to +60°C (ATEX)<br>-50°C to +95°C (IECEX)   |
| <b>Approvals</b>                          | IMQ 08 ATEX 028X<br>IECEX IMQ 15.0002X<br>TR CU   |
| <b>Marking</b>                            | II 2 GD<br>Ex de IIC T(**) Gb / Ex mb IIC T(**) Gb<br>Ex tb IIIC T(**) Db IP66/67<br>** T6/T85°C, T5/T100°C, T4/T135°C  |
| <b>Standard certificate label</b>         | Made by self adhesive UV and corrosion resistant polyester, approved by INERIS Laboratory.  |
| <b>Accessories available upon request</b> | Hinges<br>Drain/breather valve<br>Traffolyte/Stinless steel certificate label<br>Internal mounting plate<br>Earth continuity plates<br>Passing through earth bolt |



**THORNE &  
DERRICK**  
INTERNATIONAL

**Thorne & Derrick**  
+44 (0) 191 410 4292  
[www.heatingandprocess.com](http://www.heatingandprocess.com)

## Dimensions EFE



## EFE Series - GRP push button stations

| TYPE     | DIMENSIONS |     |     |     |     | WEIGHT [kg] |
|----------|------------|-----|-----|-----|-----|-------------|
|          | A          | B   | C   | D   | E   |             |
| EFE-1212 | 120        | 122 | 90  | 82  | 106 | 0.75        |
| EFE-1222 | 120        | 220 | 90  | 82  | 204 | 1,06        |
| EFE-1616 | 160        | 160 | 90  | 110 | 140 | 1,29        |
| EFE-1626 | 160        | 260 | 90  | 110 | 240 | 1.71        |
| EFE-1636 | 160        | 360 | 90  | 110 | 340 | 2.15        |
| EFE-2526 | 250        | 255 | 120 | 200 | 235 | 2.65        |
| EFE-2540 | 250        | 400 | 120 | 200 | 380 | 3,65        |
| EFE-2560 | 250        | 600 | 120 | 200 | 580 | 5,235       |
| EFE-4140 | 405        | 400 | 120 | 355 | 380 | 5.58        |

\* For complete push button stations is necessary to ask to the Sales Office.

## Maximum number of entries on sides and cover

| TYPE     | M20 / 1/2" |    | M25 / 3/4" |    | M32 / 1" |    | M40 / 1" 1/4 |   | M50 / 1" 1/2 |   | M63 / 2" |   | COVER ENTRIES |
|----------|------------|----|------------|----|----------|----|--------------|---|--------------|---|----------|---|---------------|
|          | A          | B  | A          | B  | A        | B  | A            | B | A            | B | A        | B |               |
| EFE-1212 | 2          | 2  | 1          | 2  | 1        | 1  | 1            | 1 | -            | - | -        | - | 2             |
| EFE-1222 | 2          | 5  | 1          | 4  | 1        | 3  | 1            | 3 | -            | - | -        | - | 6             |
| EFE-1616 | 3          | 3  | 2          | 3  | 1        | 2  | 1            | 1 | -            | - | -        | - | 4             |
| EFE-1626 | 3          | 5  | 2          | 5  | 1        | 4  | 1            | 3 | -            | 3 | -        | - | 8             |
| EFE-1636 | 3          | 8  | 2          | 7  | 1        | 6  | 1            | 5 | -            | 4 | -        | - | 10            |
| EFE-2526 | 8          | 10 | 8          | 10 | 3        | 7  | 3            | 4 | 2            | 3 | 2        | 2 | 16            |
| EFE-2540 | 8          | 18 | 8          | 16 | 3        | 5  | 3            | 5 | 3            | 5 | 2        | 4 | 24            |
| EFE-2560 | 8          | 25 | 8          | 24 | 3        | 10 | 3            | 8 | 2            | 6 | 2        | 6 | 40            |
| EFE-4140 | 16         | 18 | 6          | 14 | 5        | 6  | 5            | 5 | 4            | 5 | 3        | 6 | 42            |



**THORNE &  
DERRICK**  
INTERNATIONAL

**Thorne & Derrick**  
+44 (0) 191 410 4292  
www.heatingandprocess.com