

INCREASED SAFETY

Push Button Stations EFXE Series - AISI316L



Push button stations EFXE Series, made of stainless steel AISI316L, are manufactured by using enclosures AQ../AR.. and SB Series.

They are designed to meet the requirements for use ON and OFF-SHORE, in petrochemical and marine applications and for any other industry where an explosive atmosphere may be present.

They can be equipped with following Ex de certified components:

- Standard and emergency push buttons,
- Rotating switches,
- Signalling lamps,
- Measurement instruments.

TECHNICAL FEATURES

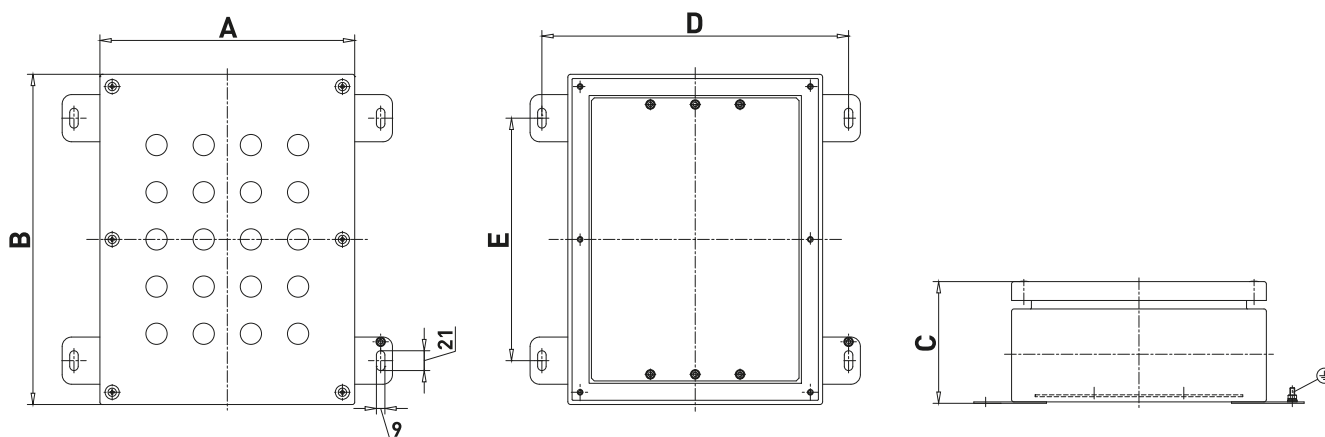
Material	Stainless steel AISI-316L
IP rating	IP66/IP67
Ambient temperature range	-50°C to +60°C (ATEX) -50°C to +95°C (IECEX)
Approvals	IMQ 08 ATEX 028X IECEX IMQ 15.0002X TR CU
Marking	II 2 GD Ex de IIC T(**) Gb / Ex mb IIC T(**) Gb Ex tb IIIC T(**) Db IP66/67 ** T6/T85°C, T5/T100°C, T4/T135°C
Surface treatment	Acid treatment
Standard certificate label	Made by self adhesive UV and corrosion resistant polyester, approved by INERIS Laboratory
Accessories available upon request	Electropolish treatment Side gland plates Hinges Drain/breather valve Traffolyte/Stainless steel certificate label Internal mounting plate Locking facility Passing through earth bolt



THORNE &
DERRICK
INTERNATIONAL

Thorne & Derrick
+44 (0) 191 410 4292
www.heatingandprocess.com

Dimensions EFXE



EFXE Series - Stainless steel push button stations

TYPE	DIMENSIONS [mm]					WEIGHT [kg]
	A	B	C	D	E	
EFXE-2727	270	270	130	325	177	4,5
EFXE-3535	350	350	160	405	257	5,6
EFXE-1320	137	200	130	192	-	4
EFXE-2027	200	270	130	255	177	7
EFXE-2735	270	350	130	325	257	9,5
EFXE-3550	350	500	160	405	407	13
EFXE-5050	500	500	160	555	407	14,5

* For complete push button stations is necessary to ask to the Sales Office.

Maximum number of entries on sides and cover

TYPE	EFXE-2727		EFXE-3535		EFXE-1320		EFXE-2027		EFXE-2735		EFXE-3550		EFXE-5050	
	A	B	A	B	A	B	A	B	A	B	A	B	A	B
M20 / 1/2"	12	12	24	24	6	10	10	12	12	16	24	36	36	36
M25 / 3/4"	10	10	14	14	4	8	8	10	10	14	14	20	20	20
M32 / 1"	4	4	12	12	2	3	3	4	4	6	12	18	18	18
M40 / 1" 1/4	4	4	5	5	2	3	3	4	4	5	5	7	7	7
M50 / 1" 1/2	3	3	4	4	1	2	2	3	3	4	4	6	6	6
M63 / 2"	3	3	3	3	1	2	2	3	3	3	3	5	5	5
M75 / 2" 1/2	-	-	3	3	-	-	-	-	-	-	3	4	4	2
M80 / 3"	-	-	2	2	-	-	-	-	-	-	4	4	4	4
COVER ENTRIES	16		25		6		12		20		40		64	



THORNE & DERRICK
INTERNATIONAL

Thorne & Derrick
+44 (0) 191 410 4292
www.heatingandprocess.com