



EXPLOSION GROUP IIB + H₂ EJB.. Series enclosures - Aluminium



EJB.. series enclosures offers Ex-d IIB or IIB+H2 mode of protection. They are suitable for hazardous areas of industrial plants for indoor and outdoor applications

They can be equipped with following components:

- Push buttons and mechanical operators PL.. Series;
- Rotating switches PSRC Series;
- Signalling lamps PL.. Series;
- Potentiometers;
- Rotating handles SRC-1 or SRC-10;
- Measurement instruments;
- Electric and electronic equipment;
- Windows made of tempered glass.

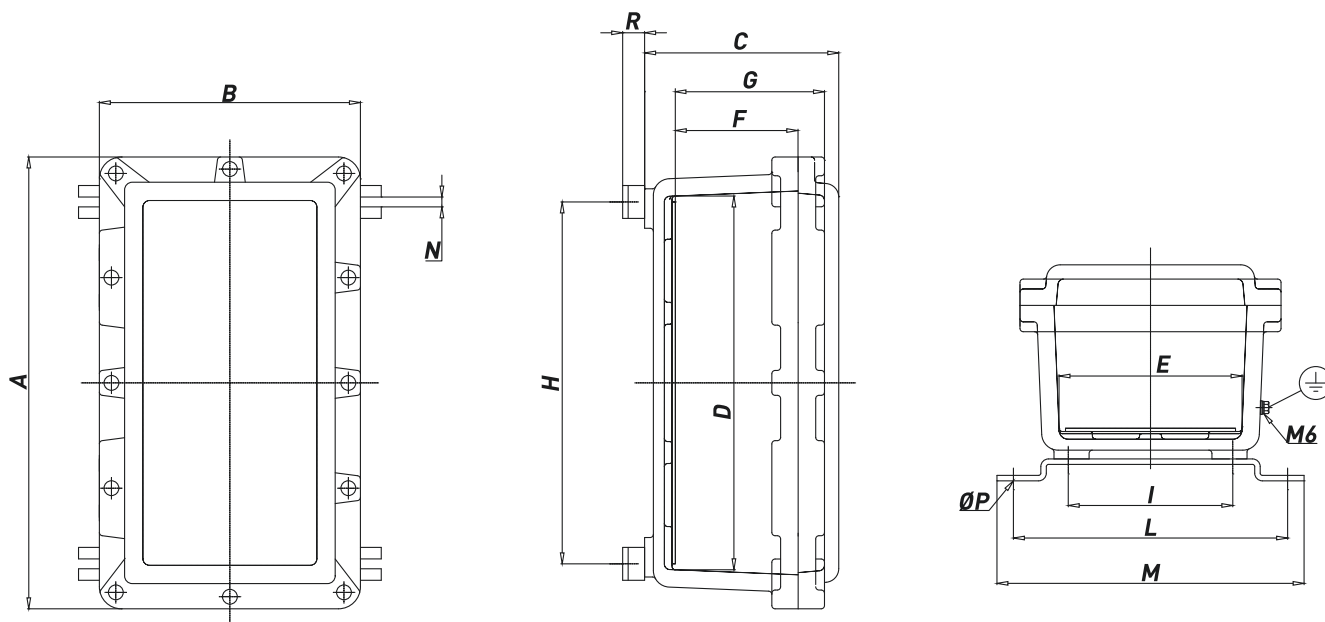
TECHNICAL FEATURES

Material	Aluminium with low content of copper
IP rating	IP65, IP66, IP67 with flanged joint coated with silicone grease
Ambient temperature range	-50°C to +55°C -20°C to +55°C (IECEX Certificate)
Approvals	INERIS 00ATEX0021X GOST R IECEX INE 10.0015X INMETRO
Marking	II 2 GD Ex-d IIB T(**) Gb or Ex-d IIB+H2 T(**) Gb Ex-tb IIIC T(**) Db IP65 or 66 or 67 ** T6/T85°C, T5/T100°C, T4/T135°C, T3/T200°C II 2(1) GD Ex-d [ia Ga] IIB T6 Gb or Ex-d [ia Ga] IIB+H2 T6 Gb Ex-tb [ia Da] IIIC T85°C Db IP65 or 66 or 67 II 2(2) GD Ex-d [ib] IIB T6 Gb or Ex-d [ib] IIB+H2 T6 Gb Ex-tb [ib] IIIC T85°C Db IP65 or 66 or 67 NOTE: under IEC Ex directive, enclosures are suitable for IIB group of gases/dusts only
Surface treatment	Green colour polyurethane painting cycle RAL6003 (other colour available upon request)
Entries	Metric pitch 1.5, ANSI B1.20.1 NPT, UNI-6125
Hardware and screws	AISI316 Stainless steel external screws
Standard certificate label	Made by self adhesive UV and corrosion resistant polyester, approved by INERIS Laboratory.
Accessories available upon request	Mounting brackets Drain/breather valve Hinges Door handle Internal anticondensate painting Traffolyte/Stainless steel certificate label





Dimensions EJB Aluminium



EJB.. Series enclosures c/w internal mounting plate - ALUMINIUM

TYPE	DIMENSIONS														WEIGHT [KG]	AA**	EE
	A	B	C	D	E	F	G	H	I	L	M	N	ØP	R			
EJB-2	298	238	174	230	168	95	135	205	140	250	280	9	M6	20	10.07	12	160 X 220
EJB-3	412	238	177	340	167	85	136	330	150	250	280	9	M8	20	13.40	18	155 X 330
EJB-3A	412	238	199	340	167	85	158	330	150	250	280	9	M8	20	13.50	9	155 X 330
EJB-4	418	302	175	335	220	90	132	300	190	300	320	9	M8	20	17.50	20	210 X 325
EJB-5	480	300	232	392	209	125	182	350	185	300	320	9	M8	20	20.50	22	200 X 385
EJB-6	483	408	238	387	310	130	186	355	280	390	420	9	M8	20	33.00	28	300 X 380
EJB-8	634	365	254	530	262	140	204	495	225	340	370	9	M8	20	36.05	36	250 X 520
EJB-9	535	468	257	426	363	140	204	410	340	440	470	12	M10	20	40.00	34	350 X 420
EJB-10	750	366	292	630	250	185	234	580	205	330	360	12	M10	20	48.50	34	240 X 620
EJB-11	596	505	267	483	394	130	204	445	360	480	510	12	M10	20	53.30	44	380 X 470
EJB-12	805	455	310	690	335	170	243	640	285	425	450	14	M12	20	73.00	54	325 X 625
EJB-13	832	607	314	723	500	115	236	630	405	580	620	14	M12	20	106.00	76	463 X 683
EJB-13A	832	607	400	723	500	205	322	630	405	580	620	14	M12	20	124.00	76	463 X 683

For complete junction boxes is necessary to ask to the Sales Office.
 Maximum quantity of M32x1,5 operators on door.

FLAMEPROOF ENCLOSURES

