



# Exodus Bulkhead

**LED** IP66/67

The Exodus bulkhead is designed for use in heavy industrial and marine environments.

**Key Features:**

- Compact design is ideal for building perimeter, walkway or stairwell lighting.
- Manufactured LM24 Aluminium Alloy, powder coated for corrosion resistance.
- Illuminated using LED Technology.
- Can accommodate any fire exit sign to ISO 7010 (300mm x 150MM).
- 5 Year complete system warranty.



Image shown features running man with arrow suffix



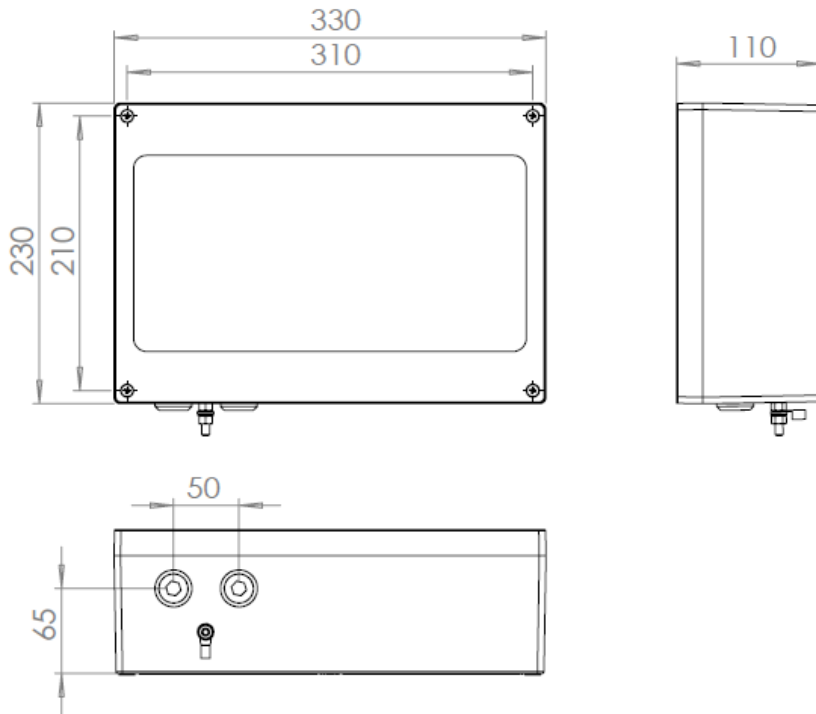
## Luminaire Ratings

Product Reference	Colour Temperature (K)	Light output (lumens)	Power (W)	Ambient Temperature*	Weight (kg)
LX1EXO2LB57	5,700	2,200	20W	-20°C to 55°C	3
LX1EXO <b>E</b> 2LB57	5,700	2,200	20W	-20°C to 55°C	8

**E** – Emergency battery backup version

## Standard Specifications

Luminaire Type	LED bulkhead luminaire
Ingress Protection	IP66/67 to EN60529
Material	Marine grade Aluminium, powder coated housing, toughened glass window, Silicone gaskets and Stainless Steel grade 316 fasteners
Lamp Types	Light Emitting Diode, Pure White (5700K)
Colour Rendering Index	> 80
LED life	50,000 hours L <sub>70</sub> @ 40°C
Cable Entry	2 x M20 threaded holes. Supplied with 2 x transit plug
Terminals	Looping terminal block for up to 4mm <sup>2</sup> conductors
Control Gear	HF electronic driver with harmonic protection (BS EN61000-3-2, Class A) and Surge (BS EN 61000-4-5, level 3)
Orientation	Universal
Mounting	Via mounting holes in body
Supply	90 to 250V 50/60Hz ac dc
Battery	6V 4.5Ah Ni-Cd
Emergency Duration	180 minutes (3 hours) at 25% output
<b>Certification</b>	
Area Classification	Zone 1 & 21, Gas & Dust
Apparatus Coding	Ex II 2 GD Ex eb ib op is q IIB T4 Gb, Ex tb op is IIIC T135°C Db
Certificate Number	ATEX: CML 16ATEX3345 IECEX: CML 16.0120



Options

M25	M25 cable entries (other thread types available on request)
90	90-minute emergency duration (90 minutes at 50% output)
RMS	Running man, with down arrow
RMRA	Running man right, with arrow
RMLA	Running man Left, with arrow
RMR	Running man right
RML	Running man Left
RALxxx	Specific paint colour (RAL number to be specified)

Add the required suffix to the product reference.

Example: **LX1EXO2LB57M25RMR** = Exodus emergency bulkhead with M25 entries and running man right exit sign

Accessories

LX4EXO-SRP	Stirrup mounting bracket (Stainless Steel)
------------	--



THORNE &  
DERRICK  
INTERNATIONAL

Thorne & Derrick  
+44 (0) 191 410 4292  
www.powerandcables.com