

XB11 5 joule xenon beacon range

Ex d, weatherproof



Overview

These certified beacons have been designed for use in potentially explosive gas and dust atmospheres and harsh environmental conditions.

The glass reinforced polyester enclosures are suitable for use offshore or onshore, where lightweight combined with corrosion resistance is required.

The beacon housing is manufactured completely from a UV stable, glass reinforced polyester. Stainless steel screws and mounting bracket are incorporated ensuring a totally corrosion free product.

Units can be painted to customer specification and supplied with identification labels.

Features

- Zones 1, 2, 21 and 22 use
 - Ex d IIB T4/T5/T6
 - ATEX approved, Ex II 2GD
 - UL certified for USA and Canada
 - Hazardous locations:
 - Class I, Div 2, Groups C & D
 - Class I, Zone 1 & 2, AExd IIB T5
 - Ordinary locations: visual-signal device
 - IECEx certified Gb, Db
 - TR CU certified
 - CQST certified
 - INMETRO certified
 - IP66 and IP67
 - Certified temperature from -55°C to +70°C
 - Corrosion resistant GRP
 - Optional stainless steel backstrap
 - Various lens colours
 - Optional lens guard
 - Optional telephone initiation
 - 2 x M20 cable entries or 2 x ½" NPT*
 - Earth continuity option*
 - Filament version (20W) available†
 - Fluorescent version (10W) available†
 - Beacon/sounder combination unit available
- *Model dependent
†See FL11, FB11, FL12, FB12 datasheet



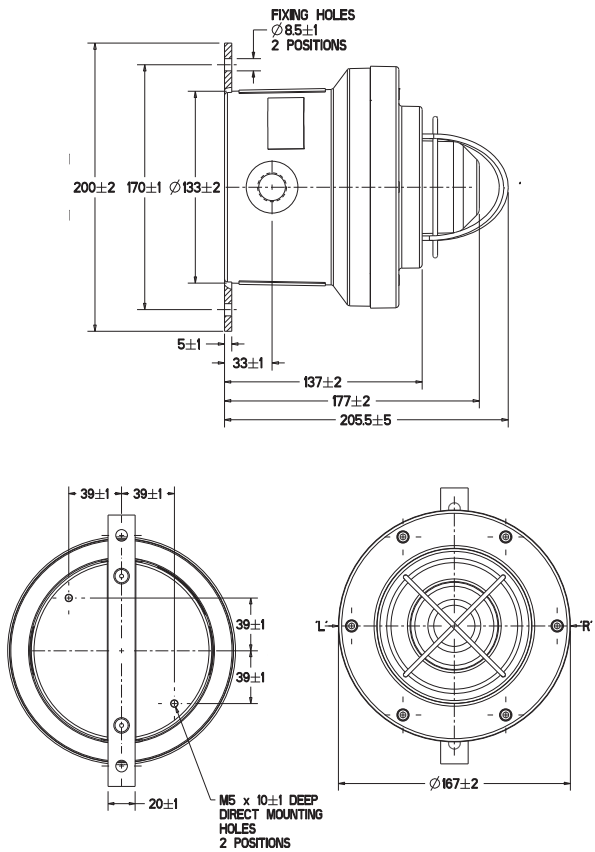
Certifications

ATEX Ex d	Cert. no. BAS99ATEX2195 Certified to: EN60079-0, EN60079-1, EN60079-31 Ex II 2GD, Ex d IIB T4/T5/T6 Gb, Ex tb IIIC T75°C/T90°C/T105°C Db
IECEX Ex d	Cert. no. IECEX BAS 10.0101 Certified to: IEC60079-0, IEC60079-1, IEC60079-31 Ex d IIB T4/T5/T6 Gb, Ex tb IIIC 75°C/90°C/105°C Db
UL Haz Locs	Cert. no. E187894. Class I, Div 2, Groups C & D Class I, Zones 1 & 2, AExd IIB T4 & T5
UL Ord Locs	Cert. no. S8128 visual signal device
TR CU Ex d	1Ex d IIB T4/T5/T6 Gb, Ex tb IIIC 75°C/90°C/105°C Db
INMETRO Ex d	Ex d IIB T4/T5/T6 Gb, Ex tb IIIC 75°C/90°C/105°C Db
CQST	Ex d IIB T4/T5/T6 Gb, Ex tb IIIC 75°C/90°C/105°C Db

Specifications

Material	Body: glass reinforced polyester Lens: glass Cover screws + backstrap: stainless steel 316
Finish	Natural black or painted to customer specification
Weight	2.5kg
Certified temp	Exd -55°C to +70°C (T4) -55°C to +55°C (T5) -55°C to +40°C (T6) UL -55°C to +70°C (hazardous locations) -55°C to +55°C (ordinary locations)
Ingress protection	IP66 & IP67
Fire retardancy	GRP is fire retardant to IEC 60695-11-10
Earth continuity	Optional for metal glands provided via a brass plate (not available in UL version)
Terminals	6 x 2.5mm ²
Telephone initiation	Initiation by telephone ringing tone
Labels	Duty/tag label optional
Entries	2 x M20 ISO Exd. 2 x ½" NPT UL Note: ATEX/UL Dual Listed unit has 2 x ½" NPT entries only
Beacon/sounder unit	The beacon may be combined with an MEDC sounder to create a visual/audible alarm. Contact MEDC for price and specification
Tube life	>1x10 ⁶ flashes

General arrangement drawing (all dimensions in mm)



Electrical ratings

	d.c.	a.c. 50/60Hz	
Voltage	24	110	240
XB11 tube energy (Joules)	5	5	5
Current (mA)	320	100	60
Effective intensity (Cd)	29	29	29
Peak intensity (Cd)	22213	22213	22213
Power consumption (Watts)	8	11	18

Note: The Cd figures are for a clear lens @ 1Hz flash rate

Multiplying factor for coloured lenses

Red	Blue	Amber	Green	Yellow
0.15	0.12	0.51	0.49	0.86

The photometric data has been verified by BSI. A report is available if required

Ordering requirements

The following code is designed to help in selection of the correct unit. Build up the reference number by inserting the code for each component into the appropriate box

Model	Certification	Voltage	Flashrate	Lens colour	Lens guard	Fixings	Earth continuity	Tag/duty	Options	Finish																																																						
XB11																																																																
		<table border="1"> <thead> <tr> <th>Voltage</th> <th>Code</th> </tr> </thead> <tbody> <tr><td>24Vdc</td><td>024</td></tr> <tr><td>48Vdc</td><td>048</td></tr> <tr><td>110Vac</td><td>110</td></tr> <tr><td>230Vac</td><td>230</td></tr> <tr><td>240Vac</td><td>240</td></tr> </tbody> </table>	Voltage	Code	24Vdc	024	48Vdc	048	110Vac	110	230Vac	230	240Vac	240		<table border="1"> <thead> <tr> <th>Colour</th> <th>Code</th> </tr> </thead> <tbody> <tr><td>Clear</td><td>C</td></tr> <tr><td>Red</td><td>R</td></tr> <tr><td>Blue</td><td>B</td></tr> <tr><td>Green</td><td>G</td></tr> <tr><td>Yellow</td><td>Y</td></tr> <tr><td>Amber</td><td>A</td></tr> </tbody> </table>	Colour	Code	Clear	C	Red	R	Blue	B	Green	G	Yellow	Y	Amber	A		<table border="1"> <thead> <tr> <th>Fixing</th> <th>Code</th> </tr> </thead> <tbody> <tr><td>Direct mount without backstrap</td><td>D</td></tr> <tr><td>Direct mount with backstrap</td><td>B</td></tr> </tbody> </table>	Fixing	Code	Direct mount without backstrap	D	Direct mount with backstrap	B		<table border="1"> <thead> <tr> <th>Label</th> <th>Code</th> </tr> </thead> <tbody> <tr><td>None</td><td>N</td></tr> <tr><td>Yes</td><td>Y*</td></tr> </tbody> </table> <p>*Please specify</p>	Label	Code	None	N	Yes	Y*		<table border="1"> <thead> <tr> <th>Colour</th> <th>Code</th> </tr> </thead> <tbody> <tr><td>Natural black</td><td>N</td></tr> <tr><td>Red</td><td>R</td></tr> <tr><td>Blue</td><td>B</td></tr> <tr><td>Yellow</td><td>Y</td></tr> <tr><td>Grey</td><td>G</td></tr> <tr><td>White</td><td>W</td></tr> <tr><td>Special</td><td>S*</td></tr> </tbody> </table> <p>*Please specify</p>	Colour	Code	Natural black	N	Red	R	Blue	B	Yellow	Y	Grey	G	White	W	Special	S*
Voltage	Code																																																															
24Vdc	024																																																															
48Vdc	048																																																															
110Vac	110																																																															
230Vac	230																																																															
240Vac	240																																																															
Colour	Code																																																															
Clear	C																																																															
Red	R																																																															
Blue	B																																																															
Green	G																																																															
Yellow	Y																																																															
Amber	A																																																															
Fixing	Code																																																															
Direct mount without backstrap	D																																																															
Direct mount with backstrap	B																																																															
Label	Code																																																															
None	N																																																															
Yes	Y*																																																															
Colour	Code																																																															
Natural black	N																																																															
Red	R																																																															
Blue	B																																																															
Yellow	Y																																																															
Grey	G																																																															
White	W																																																															
Special	S*																																																															
	<table border="1"> <thead> <tr> <th>Certification</th> <th>Code</th> </tr> </thead> <tbody> <tr><td>Uncertified</td><td>W</td></tr> <tr><td>ATEX</td><td>B</td></tr> <tr><td>IECEX</td><td>J</td></tr> <tr><td>UL</td><td>UL</td></tr> <tr><td>UL (ordinary locations)</td><td>UW</td></tr> <tr><td>ATEX/UL dual listed</td><td>AU</td></tr> <tr><td>TR CU</td><td>G</td></tr> <tr><td>CQST</td><td>Q</td></tr> <tr><td>INMETRO</td><td>DM</td></tr> </tbody> </table>	Certification	Code	Uncertified	W	ATEX	B	IECEX	J	UL	UL	UL (ordinary locations)	UW	ATEX/UL dual listed	AU	TR CU	G	CQST	Q	INMETRO	DM	<table border="1"> <thead> <tr> <th>Flashrate</th> <th>Code</th> </tr> </thead> <tbody> <tr><td>60/min</td><td>06</td></tr> </tbody> </table> <p>Other flash rates available, please specify</p>	Flashrate	Code	60/min	06	<table border="1"> <thead> <tr> <th>Guard</th> <th>Code</th> </tr> </thead> <tbody> <tr><td>None</td><td>N</td></tr> <tr><td>Yes</td><td>Y</td></tr> </tbody> </table>	Guard	Code	None	N	Yes	Y	<table border="1"> <thead> <tr> <th>Continuity</th> <th>Code*</th> </tr> </thead> <tbody> <tr><td>None</td><td>N</td></tr> <tr><td>Yes</td><td>Y</td></tr> </tbody> </table> <p>*Earth continuity not available in UL or dual listed versions</p>	Continuity	Code*	None	N	Yes	Y	<table border="1"> <thead> <tr> <th>Option</th> <th>Code</th> </tr> </thead> <tbody> <tr><td>None</td><td>N</td></tr> <tr><td>Blanking plug</td><td>P</td></tr> <tr><td>Telephone initiate</td><td>T*</td></tr> </tbody> </table> <p>*Telephone option not available in UL version</p>	Option	Code	None	N	Blanking plug	P	Telephone initiate	T*															
Certification	Code																																																															
Uncertified	W																																																															
ATEX	B																																																															
IECEX	J																																																															
UL	UL																																																															
UL (ordinary locations)	UW																																																															
ATEX/UL dual listed	AU																																																															
TR CU	G																																																															
CQST	Q																																																															
INMETRO	DM																																																															
Flashrate	Code																																																															
60/min	06																																																															
Guard	Code																																																															
None	N																																																															
Yes	Y																																																															
Continuity	Code*																																																															
None	N																																																															
Yes	Y																																																															
Option	Code																																																															
None	N																																																															
Blanking plug	P																																																															
Telephone initiate	T*																																																															



THORNE & DERRICK
INTERNATIONAL

Thorne & Derrick
+44 (0) 191 410 4292
www.powerandcables.com