

XC40 day/night analogue series

Explosion proof, PTZ
camera station



Overview

The Oxalis XC40 is an explosion protected PTZ camera station for use in hazardous areas in onshore, offshore, marine and heavy industrial environments.

The camera stations are designed for longevity in harsh environments with minimal maintenance.

Features

- ATEX, IECEx, Class 1 Division 1 and Zone 1 certified
- Electro-polished 316L stainless steel on all welded assemblies
- Pole or wall mounting options (see separate datasheets)
- Supply voltage options 24 VAC
- Operating temperature -60°C to +70°C*
- IP66/67

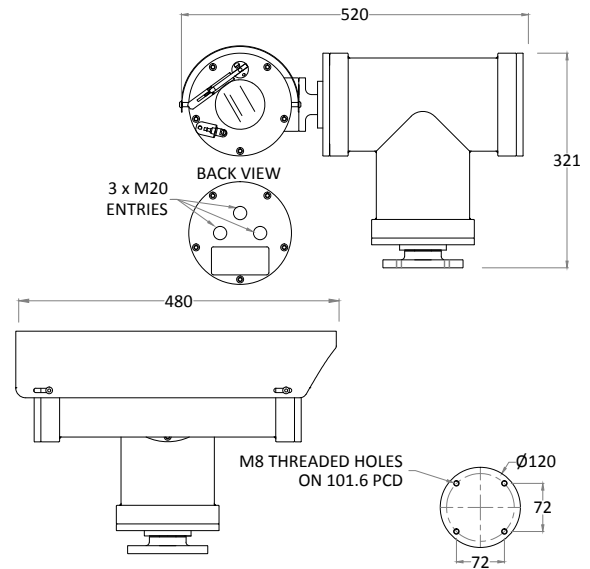
*Model dependent



Certifications

ATEX	II 2 G Ex db (op pr) IICT4 Gb -60°C to +70°C II 2 D Ex tb (op pr) IIIC T140°C Db IP6x On Request: T5 -60°C to +65°C, T6 -60°C to +40°C On request: T135 -60°C to +65°C Certificate: ITS16ATEX101021X	cLC CSA	Ex d IICT4 (T5 On Request) LC1311396 -60°C ≤Ta ≤ +60°C. CAN CSA-C22.2 No.60079-0:2011 & 60079-1-2012 Certificate: 11396-1S-CSA
IECEX	Ex db (op pr) IICT4 Gb -60°C to +70°C Ex tb (op pr) IIIC T140°C Db IP6x On Request: T5 -60°C to +65°C, T6 -60°C to +40°C On request: T135 -60°C to +65°C Certificate: IECEX ITS 15.0068X	TR CU, EAC	1 Ex db (op pr) IICT4 Gb -60°C to +70°C Ex tb (op pr) IIIC T140°C Db IP6x On Request: T5 -60°C to +65°C, T6 -60°C to +40°C On request: T135 -60°C to +65°C Certificate: TCRUCGB.I'E04.B00587
INMETRO	Ex db (op pr) IICT4 Gb -60°C to +70°C Ex tb (op pr) IIIC T140°C Db IP6x On Request: T5 -60°C to +65°C, T6 -60°C to +40°C On request: T135 -60°C to +65°C Certificate: ULBR 17.0063X	CCOE	Ex db (op pr) IICT4 Gb -60°C to +70°C Ex tb (op pr) IIIC T140°C Db IP6x On Request: T5 -60°C to +65°C, T6 -60°C to +40°C On request: T135 -60°C to +65°C Certificate: P400546/1
LCus CI/ZI	Class 1 Zone 1 A Ex d IICT4 (T5 On Request) LC13A11396 Gb -60°C ≤Ta ≤ +60°C. UL 60079-0:2009 & 60079-1:2010 Certificate: 11396-1S-UL	CNEX	Ex db (op pr) IICT4 Gb -60°C to +70°C Ex tb (op pr) IIIC T140°C Db IP6x On Request: T5 -60°C to +65°C, T6 -60°C to +40°C On request: T135 -60°C to +65°C Certificate: 17.1235X
LCus CI/DI	Class I, Division 1, Groups B, C, D, -60°C ≤Ta ≤ 60°C T4 Class II, Division 1, Groups E, F, G IP67 CSA-C22.2 No:30-M1986 No:25-1966(R2009) CSA-C22.2 No:60065-03(R2012) & UL1203,UL60065(ED.7) Certificate: 11671-1S (Gas) / 11677-1S (Dust)	CERTEX	Ex db (op pr) IICT4 Gb -60°C to +70°C Ex tb (op pr) IIIC T140°C Db IP6x On Request: T5 -60°C to +65°C, T6 -60°C to +40°C On request: T135 -60°C to +65°C Certificate: S-XLP/170244X

General arrangement drawing (all dimensions in mm)

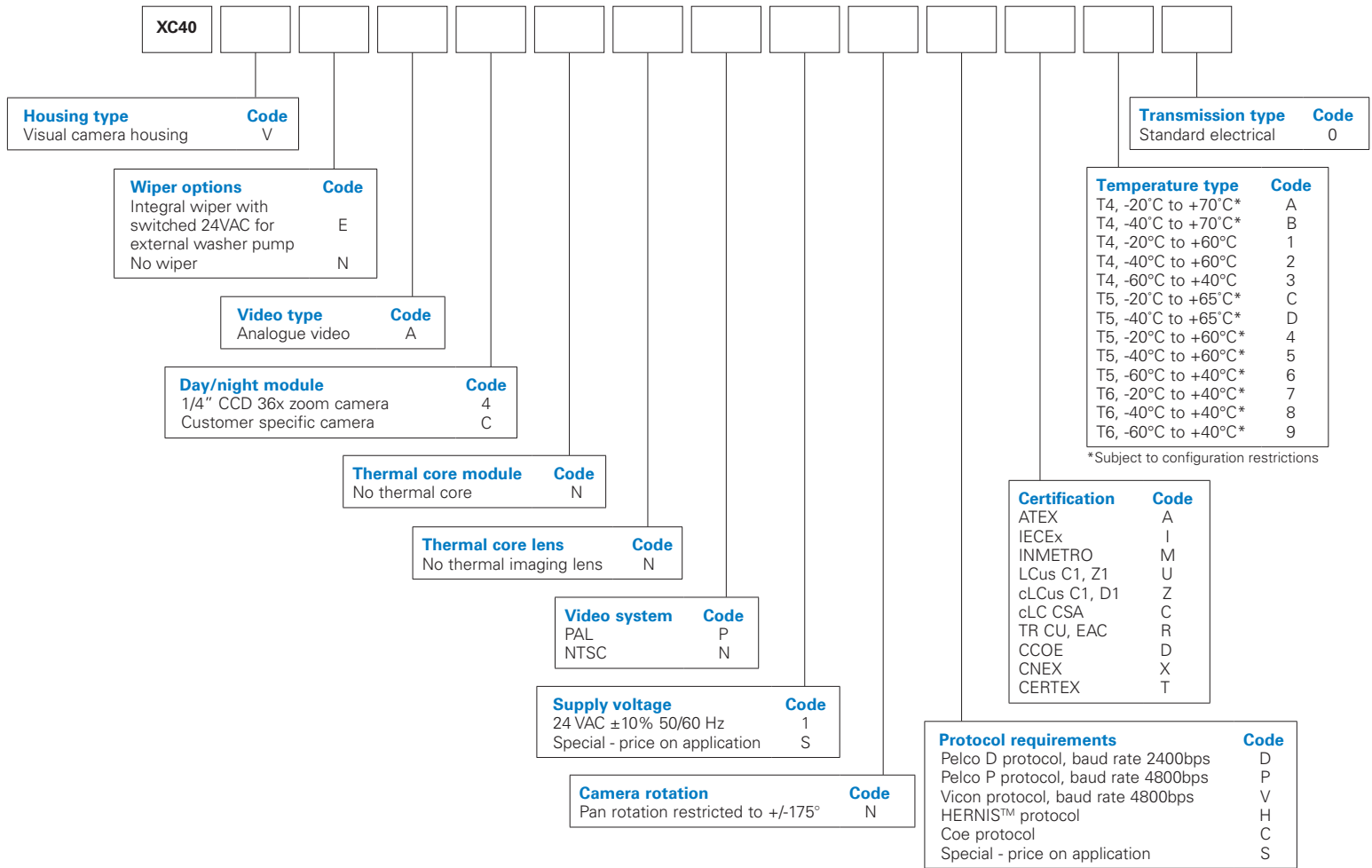


Specifications

Certification part number	P&T 1420-11, Housing options 1410-10, 1410-25
Features	
Sun shield	Standard stainless steel 316L mirror finish
Integral wiper	Optional (silicone wiper blades that are resistant and do not perish after long exposure to ozone, UV, ice, snow, heat or cold)
Integral demister	Standard
Washer systems	Compatible with Oxalis XW or XWP washer tanks (see separate datasheets)
Pan speed (maximum)	45° per second
Tilt speed (maximum)	24° per second
Pre-set positional accuracy	64 presets: positional accuracy ±0.1°
Telemetry receiver	Integral - Pelco D, P standard protocols (others to specification)
Rotation	350° rotation (+/- 175° from straight ahead)
Ingress protection rating	IP66/67
Type approval	DNVGLCG-0339, 2016 (copper transmission only)
Electrical	
Supply voltage options	24 VAC
Power consumption	85W maximum (143W with low temperature operation)
Electrical connections	Terminal block for power, data and video specific to camera configuration
Cable entry	One M20 side entry
Mechanical	
Body material	Electro-polished 316L stainless steel on all welded assemblies
Fixings material	A4 stainless steel
Camera station window	Toughened glass
Mounting options	Pole or wall (see separate datasheets)
Operating temperature	From -60°C to +70°C (model dependent)
Weight (Kg)	Up to 41.5Kg depending on configuration
Camera options	
1/4" CCD 36x zoom camera	
Image sensor	1/4" EXview HAD CCD (progressive scan)
Resolution	High resolution mode on: 550 TV lines (default)
Lens	36x zoom 3.4-122.4 mm F1.6 to F4.5, horizontal angle of view 57.8°- 1.7°, 12X digital zoom, auto focus, auto iris
Min. illumination	1/60 s, 1/50 s mode: 1.4 Lux, 1/4 s, 1/3 s mode: 0.1 Lux, 1/4 s, 1/3 s mode & ICR On: 0.01 Lux
S/N ratio	>50dB
Features	ATW, day & night auto/colour / BW (IR-cut filter removable), camera title ON/OFF

Ordering requirements

The following code is designed to help in selection of the correct unit. Build up the reference number by inserting the code for each component into the appropriate box



**THORNE &
DERRICK
INTERNATIONAL**

Thorne & Derrick
 +44 (0) 191 410 4292
 www.powerandcables.com