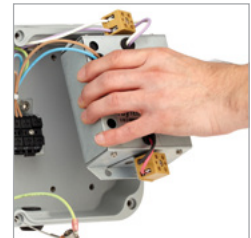
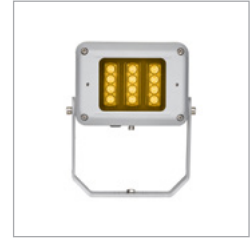




## SPARTAN SPX-FL12 LED Zone 1 Wildlife Friendly Floodlight Standard Variants

rayTEC®



- ATEX and IEC Ex approved – Zone 1  
UL/CSA approved, including C1D2 and ABS
- Zone 2 variants also available
- Amber, long life LEDs
- High lumen output LED
- Easy installation, maintenance and inspection
- Wide operating temperature range -50° to +55°C
- VARIO lens technology – easy modification of beam patterns
- Integral photocell (optional)
- 5 year warranty
- Now 'op is' approved (EN60079-28)

The SPARTAN Wildlife Friendly Flood range is designed specifically for use near hazardous coastal facilities or sites located near nature reserves. SPARTAN Wildlife Friendly Floodlight uses a warmer wavelength of LED, avoiding the dangers associated with wildlife wandering towards blue-white light. Available in both standard and emergency versions and using Raytec's field-proven, long-life LED technology, SPARTAN Wildlife Friendly floodlights are ATEX and IEC Ex approved for all Zone 1 applications, C1D2, UL, CSA, ABS and rated for T4, T5 and T6 environments. SPARTAN Wildlife Friendly Flood has been designed with maintenance in mind. A unique modular design allows key components to be easily accessed and serviced if required, making inspection and maintenance quicker and easier. It also allows for the most flexible installation - the PSU chassis can be removed and located remotely at ground level for areas with difficult access.

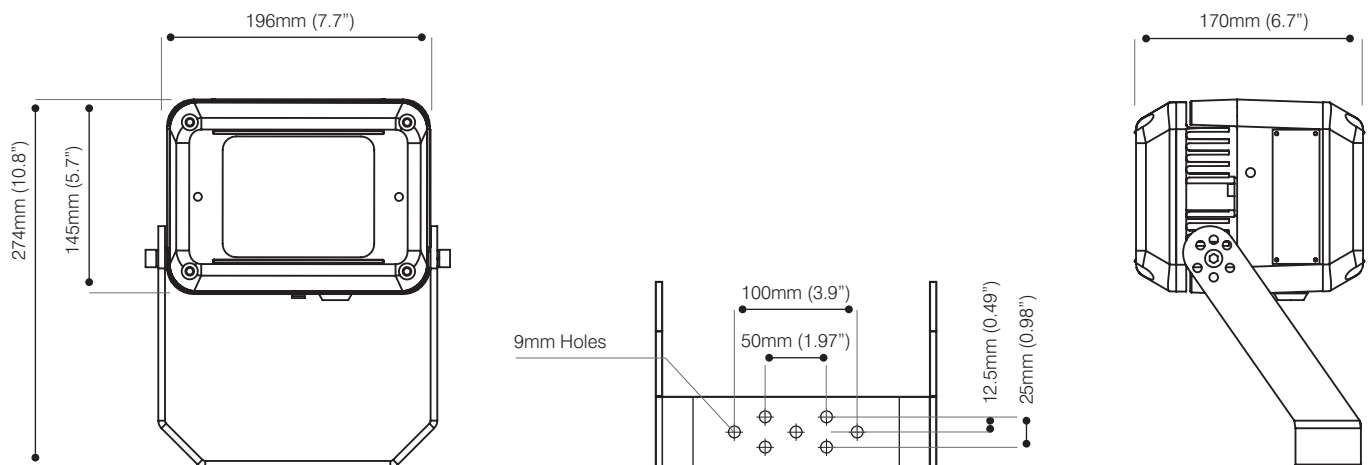
SPARTAN Wildlife Friendly Flood is available in a range of different beam patterns, both circular and elliptical, with revolutionary interchangeable VARIO lens inserts which can be easily altered on-site delivering the ultimate flexibility to specifiers, distributors and end users. SPARTAN uses **COOLEXTRUDE™** thermal management technology, ensuring a much cooler LED operating temperature and up to 60% better heat dissipation compared to traditional lighting solutions, allowing the product to operate for > 10 years while still delivering a high lumen output of up to 2,500 lumens.



THORNE &  
DERRICK  
INTERNATIONAL

Thorne & Derrick  
+44 (0) 191 410 4292  
www.heatingandprocess.com

## Product Dimensions



### Features

### Benefits

Ultra-Powerful	High lumen output - up to 2,500 lumens Latest high power LED technology
Ultra-Flexible	Beam patterns from 10° to 120° both circular and elliptical Operating temperature range of -50°C to + 55°C with a T4/T5/T6 rating for even the most challenging conditions Models incorporating Vario Technology allow for easy modification of beam pattern
Ultra-Reliable	Industry leading 5 year warranty Designed and manufactured in the UK to the highest standards including both ISO9001 & ISO14001 Advanced electronics and LED's protected by vibration resistant and water proof potting compound
Ultra-Modular	Both the LED and PSU modules are easily accessible for maintenance and inspection Removable PSU housing allows power supply to be fitted remotely
Ultra-Efficient	<b>COOLEXTRUDE™</b> thermal management delivers class leading energy efficiency Significant running and maintenance savings compared to traditional lighting technologies SMART access wiring system for safe and efficient installation, set-up and ongoing inspection
Ultra-Support	Photometric files available (.ies & .ldt) Full Lighting Design Service Site specific Energy and Cost Saving Report available

## 5 YEAR WARRANTY

All Raytec luminaires are provided with an industry leading 5 year warranty and have an expected useful life in excess of 10 years



# Technical Specifications

## Certification

ATEX Rating:	ATEX and IEC Ex rated for Gas and Dust
Hazardous Area rating:	Zone 1 – Gas and Dust
Certificates:	CML13ATEX3007 & IEC Ex CML 14.0001 UL/CSA, including C1D2
Gas:	II 2 G D Ex e mb op is IIC T4 Gb Ta= Up to -52°C to +55°C (all emergency variants have a lower ambient of -20°C only)
Dust:	Ex tb op is IIIC T82°C Db Ta= Up to -52°C to +55°C - IP66 & IP67
North America Rating:	Class I, Division 2 Groups A, B, C, D, T5 Class II, Division 1 & 2 Groups E, F, G Class III, Division 1 & 2 NEMA 4x, IP66/IP67 UL50E, UL8750, UL 1203 C22.2 No Emergency Variants - Certification Pending
ABS Rating	ABS Certificate # 15-LD1364539-1-PD

## Electrical

Input:	110-254V 50/60Hz AC only Low voltage: 18-48V AC and 18-69V DC Extra low voltage: 12V AC/DC
Power:	34W
Termination	Incoming terminal block suitable for looping 4 core 4mm <sup>2</sup> cable
Power Factor:	>0.95
Cable Entries	2xM20 as standard (other entries available upon request), dispatched complete with one ATEX/IEC Ex approved blanking plug 3/4" NPT as standard on C1D2

## Optical

Beam Patterns-circular:	10°x 10° or 30°x 30° or 50°x 50° or 120°x 120° (10 x 10 option can be upgraded to VARIO Technology)
Beam Patterns-elliptical:	35°x 10° or 60°x 25° or 80°x 30° or 120°x 50° (VARIO)
Lumen output on mains:	Up to 2,500 lm – circular beam patterns Up to 2,250 lm – elliptical beam patterns (VARIO)
LED type:	Platinum Elite SMT LEDs
Number of LEDs:	12
Dominant Wavelength:	600nm

## Mechanical/Environmental

Burning position:	Universal
IP rating:	IP66 & IP67
Temperature range:	-50°C to +55°C
Weight:	5kg (11lbs)
Enclosure:	Marine grade aluminium epoxy powder coated, toughened glass, all external fasteners and brackets are marine grade stainless steel
Unit Colour:	Silver (RAL 9006)
Installation instructions:	Please contact Raytec for copy
Dimensions:	196 x 274 x 170mm (10.8 x 7.7 x 6.7")
Mounting:	U bracket (see dimension drawings on Page 2)

# Product Codes - Zone 1

## Circular beam pattern

Part Codes	Description (T4 variants as standard)
SPX-FL12-4K-A-1010	SPARTAN Zone 1 Wildlife Friendly Flood, 12 LED, 10°x 10° beam
SPX-FL12-4K-A-3030	SPARTAN Zone 1 Wildlife Friendly Flood, 12 LED, 30°x 30° beam
SPX-FL12-4K-A-5050	SPARTAN Zone 1 Wildlife Friendly Flood, 12 LED, 50°x 50° beam
SPX-FL12-4K-A-120120	SPARTAN Zone 1 Wildlife Friendly Flood, 12 LED, 120°x 120° beam

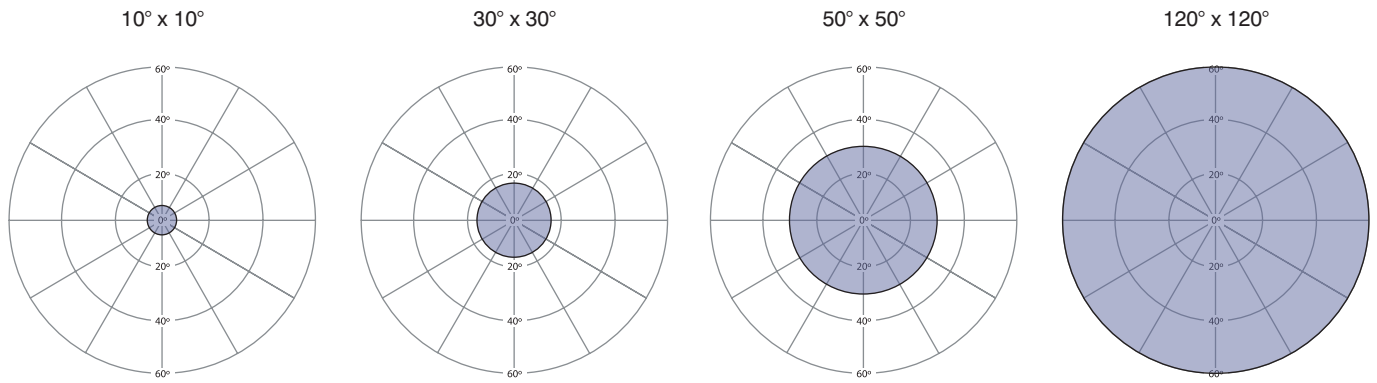
For options fitted with photocell add '-PC' to the above codes  
18-69V variants available, add -LV to the above codes  
12V variants available, add -ELV to the above codes  
Contact Raytec for T5 and T6 variants

## Elliptical beam pattern

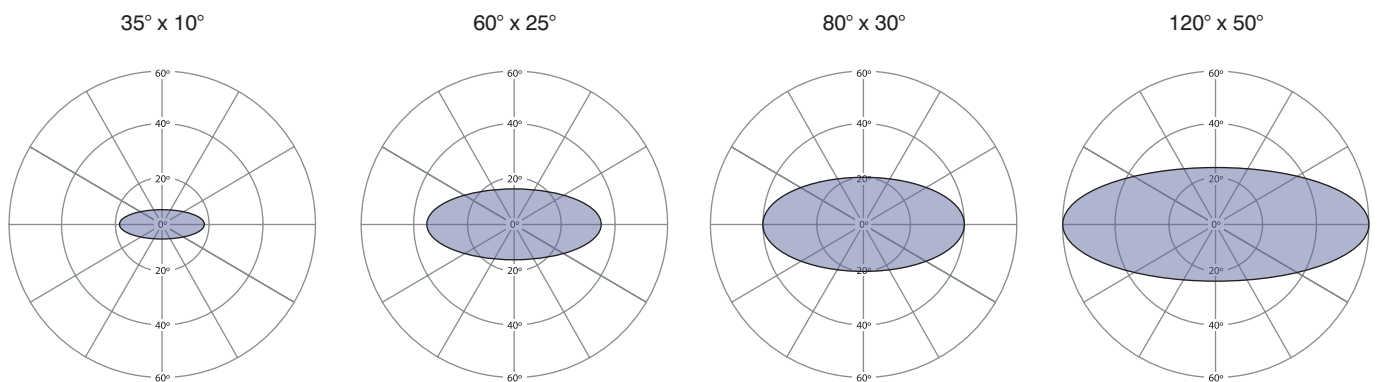
Part Codes	Description (T4 variants as standard)
SPX-FL12-4K-A-3510	SPARTAN Wildlife Friendly Flood, 12 LED, 35°x 10° beam
SPX-FL12-4K-A-6025	SPARTAN Wildlife Friendly Flood, 12 LED, 60°x 25° beam
SPX-FL12-4K-A-8030	SPARTAN Wildlife Friendly Flood, 12 LED, 80°x 30° beam
SPX-FL12-4K-A-12050	SPARTAN Wildlife Friendly Flood, 12 LED, 120°x 50° beam

For options fitted with photocell add '-PC' to the above codes  
18-69V variants available, add -LV to the above codes  
12V variants available, add -ELV to the above codes  
Contact Raytec for T5 and T6 variants

## Beam patterns - Circular

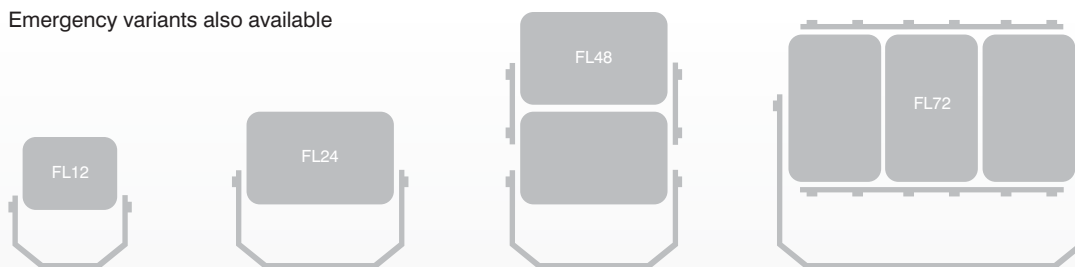


## Beam patterns – Elliptical (VARIO)



## Products in the SPARTAN Wildlife Friendly Flood range

Zone 1, Zone 2, UL/CSA, Industrial  
Emergency variants also available



## Products in the SPARTAN Family

