

EXSTREAM 300

CONFINED SPACE/PORTABLE FAN IECEX/ATEX CERTIFIED



MORE VENTILATION
50%
MORE VENTILATION

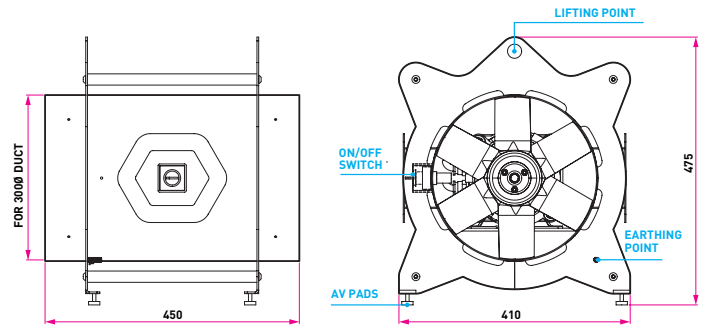
WOODCOCK
& WILSON



ExStream fans are the World's first range of independently dual certified IECEX/ATEX portable ventilation fans which are certified to both Electrical & Non-Electrical standards.

The ExStream300 offers global safety solutions for hazardous area ventilation. Providing a new generation in ventilation safety without compromise.

The high performing compact and durable industrial design provides an efficient solution to confined space ventilation for hazardous areas.



CERTIFICATION: ELECTRICAL

MOTOR

Zone 1, Ex de IIB T4 Gb, IP65

Certified to ATEX/IECEX

SWITCH

ATEX Certification II 2 G Ex mb IIC T6 Gb

IECEX Certification Ex mb IIC Tb

PLUG

ATEX/IECEX

Exde IIC T5/T6

CERTIFICATION: NON-ELECTRICAL

ATEX Zone 1 Category 2G IIB T4

Certificate Number Sira 09ATEX 6230X

IECEX Ex h Gb IIB T4

Certificate Number IECEX SIR17.0076X

STANDARDS:

ISO 80079-36:2016 Non-electrical equipment for explosive atmospheres

ISO 80079-37:2016 Non-electrical type of protection constructional safety

BS EN 14986: 2017

KEY FEATURES:

- Independently dual certified to ATEX & IECEX
- Easy to use (plug & play) with Integrated stop/start
- Power lead (5m) with plug. Alternative plugs available on request

TECHNICAL SPECIFICATION:

- Power supply either 230v or 110v / 50Hz or 60Hz
- Painted C5M Offshore Standard
- Weight 30kg
- 110v motor option FLC 7.5Amps
- 230v motor option FLC 3.7Amps

PERFORMANCE:

- 3850 m³/hr @ 50Hz Free Air
- 4700 m³/hr @ 60Hz Free Air
- 3250 m³/hr @ 50Hz with 10 meters of ducting
- 3950 m³/hr @ 60Hz with 10 meters of ducting

ANCILLARY ITEMS:

- Anti-static ducting (5m) with quick release clamp
- Ducting extension kit
- Earth cable (2m) with clamp

Industrial Fan Specialists



PROUDLY MADE
IN BRITAIN