

Notes

1. Net weight

Without Thermostat or Disconnect Switch
 3, 5 & 7.5kW = 144 lbs (65.4 kg)
 10 kW = 148 lbs (67.2 kg)

Net Weight Adders
 Thermostat = 7 lbs (3.1 kg)
 Disconnect Switch = 11 lbs (4.9 kg)

2. Shipping Weight

Without Thermostat or Disconnect Switch
 3, 5 & 7.5kW = 203 lbs (92.0 kg)
 10 kW = 207 lbs (93.9 kg)

Ship Weight Adders
 Thermostat = 7 lbs (3.1 kg)
 Disconnect Switch = 11 lbs (4.9 kg)

3. Ambient Temperature Limits and Altitude

Operating: **Gas:** -40°C ≤ Tamb ≤ +40°C; **Dust:** -30°C ≤ Tamb ≤ +40°C (except IECEx with disconnect -20°C ≤ Tamb ≤ +40°C)
 Storage: -50°C to +60°C
 Maximum Altitude: 3000 m ASL

4. Air Delivery

3 kW = 595 m³/hr
 5 kW = 680 m³/hr
 7.5 kW = 1019 m³/hr
 10 kW = 1359 m³/hr

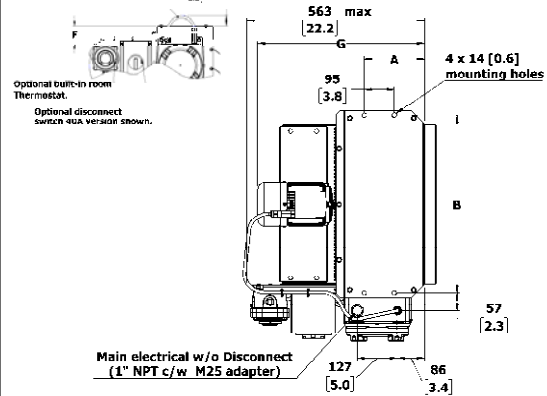
5. Hazardous Location Classification

Gas Atmosphere Models or **Dust Atmosphere Models**
 C_E2813 IIB 2G, Ex d IIB T4 Gb IP55 (ATEX) or C_E2813 I 2D, Ex tb IIIB T135°C Db IP65 (ATEX)
 Ex d IIB T4 Gb IP55 (IECEx) or Ex tb IIIB T135°C Db IP65 (IECEx)
 1Ex d IIB T4 X IP55 (EAC Ex) or Ex tb IIIB T135°C Db X IP65 (EAC Ex)
 (Suitable for ATEX/IECEx/EAC Ex Zone 1 & 2) (Suitable for ATEX/IECEx/EAC Ex Zone 21 & 22)

6. Materials

Cabinet: 14 Ga, Yellow Epoxy/Polyester Powder Coated
 Core: Carbon Steel with Copper-free Integral Aluminum Fins Coated with Black, High Heat Enamel
 (Heresite coated core and/or cabinet available)

Motor wire routes above cabinet on 12" heater when Total & Disconnect options are ordered.



Heater Size	12 (3-10kW)
Dim.	Inches (mm)
A	7.5 (191)
B	18.2 (462)
C	16.3 (414)
D	19.0 (482)
E	19.5 (494)
F	3.1 (79)
G	20.8 (528)
H	12.7 (322)

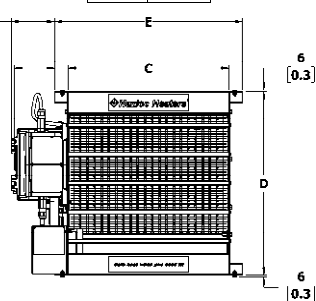
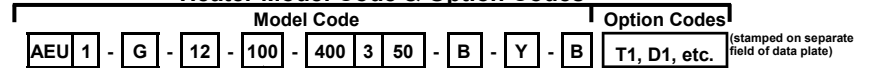


Table 1 Specifications for AEU1 Heater, 12" Fan Size

KW	Line Volt	PH Ø	Hz	Fan Dia. (inch)	Total Amps	Minimum Circuit Ampacity	Max Fuse Size	Supply Wire 90°C mm ² (AWG)	BASE MODEL (? = G or D)	Flammable Substance Gas (G) Dust (D) (circle one)	Optional Built-in Thermostat (circle one)	Built-in Disconnect Switch <input checked="" type="checkbox"/>	Continuous Fan <input checked="" type="checkbox"/>
3	230	3	50	12	9.3	11.6	15	2.08 (14)	AEU1-?-12-030-230350-B	G or D	None or T1 or T2		
	400	3	50		5.4	6.7	15	2.08 (14)	AEU1-?-12-030-400350-B	G or D	None or T1 or T2		
	480	3	60		4.7	5.8	15	2.08 (14)	AEU1-?-12-030-480360-B	G or D	None or T1 or T2		
5	230	3	50	12	14.3	17.8	20	3.31 (12)	AEU1-?-12-050-230350-B	G or D	None or T1 or T2		
	400	3	50		8.3	10.3	15	2.08 (14)	AEU1-?-12-050-400350-B	G or D	None or T1 or T2		
	480	3	60		7.1	8.8	15	2.08 (14)	AEU1-?-12-050-480360-B	G or D	None or T1 or T2		
7.5	230	3	50	12	20.5	25.6	30	5.26 (10)	AEU1-?-12-075-230350-B	G or D	None or T1 or T2		
	400	3	50		11.9	14.8	15	2.08 (14)	AEU1-?-12-075-400350-B	G or D	None or T1 or T2		
	480	3	60		10.1	12.6	15	2.08 (14)	AEU1-?-12-075-480360-B	G or D	None or T1 or T2		
10	230	3	50	12	26.7	33.4	35	8.36 (8)	AEU1-?-12-100-230350-B	G or D	None or T1 or T2		
	400	3	50		15.5	19.3	20	3.31 (12)	AEU1-?-12-100-400350-B	G or D	None or T1 or T2		
	480	3	60		13.1	16.3	20	3.31 (12)	AEU1-?-12-100-480360-B	G or D	None or T1 or T2		

Heater Model Code & Option Codes



Model Series	AEU1
Generation	G
For major revisions	12
Flammable Substance	100
Gas	G
Dust	D
Fan Size	12
12" (305 mm)	12
Power Output	
3 kW	030
5 kW	050
7.5 kW	075
10 kW	100
Heater Line Voltage	
230 Volts ¹	230
400 Volts ²	400
480 Volts ³	480

Option Codes (stamped on separate field of data plate)	T1, D1, etc.
Product Revision No.	For minor revisions
Factory Built-in Options	N No options selected Y Yes, options selected
Option Codes (stamped on separate field of data plate)	T1 Thermostat, Bi-metal (BTX1-E-A) T2 Thermostat, Electronic (XET1-1-E-A) D2 ⁴ Disconnect switch, 20A D4 ⁴ Disconnect switch, 40A F Continuous fan H1 Heresite Core H2 Heresite Cabinet H3 Heresite Core/Cabinet

Control Voltage	B 24VAC
Frequency	50 50Hz 60 60Hz
Phase	3 3 Phase

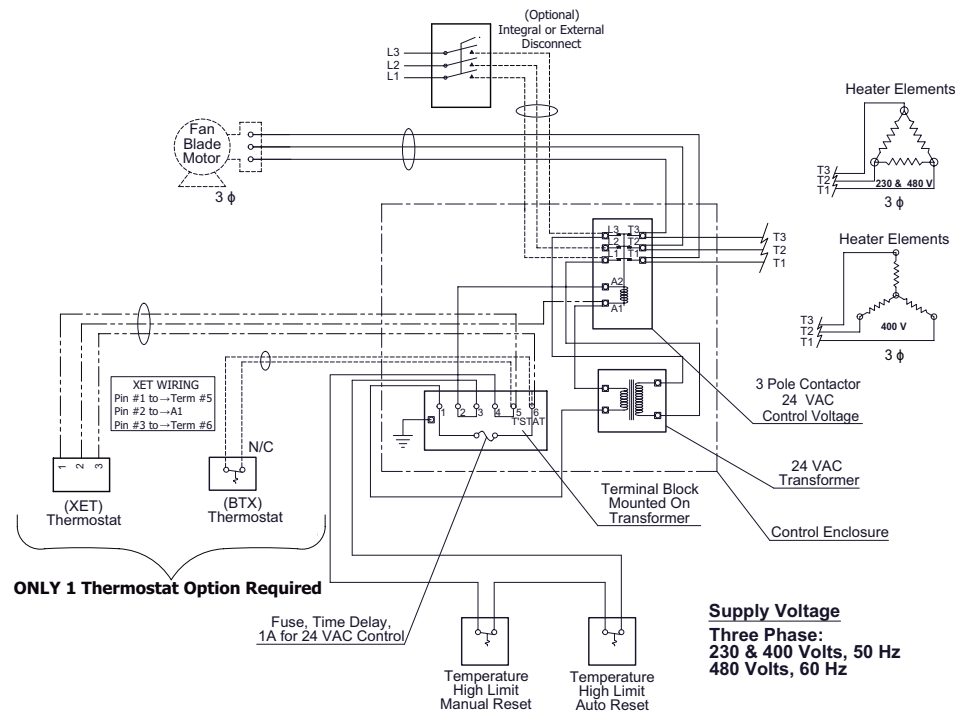
¹ Line voltage is 230VAC +/- 5% @ 50Hz.
² Line voltage is 400VAC +/- 5% @ 50Hz.
³ Line voltage is 480VAC Max @ 60Hz. Motor has a rated voltage of 460VAC +/- 5%.
⁴ Built-in disconnect switch is shipped with a prebuilt gland / cable assembly that must be installed and inspected on site.



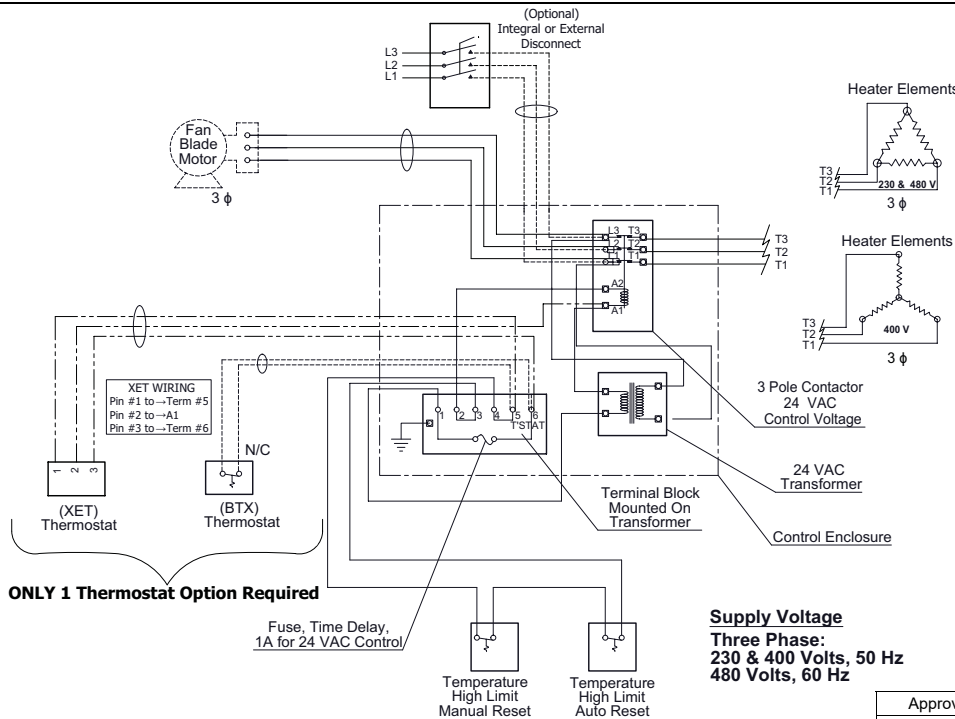
Approval Drawing	AEU1, 12" Fan Size Heater
October 15, 2019	Version 2.0
Hazloc Heaters Inc.	Calgary, Alberta



Wiring Diagram for Standard Fan Operation



Wiring Diagram for Continuous Fan Operation



Approval Drawing	AEU1, 12" Fan Size Heater
October 15, 2019	Version 2.0
Hazloc Heaters Inc.	Calgary, Alberta

