

# Technical Data Sheet

## Fire Rated - F200 Enclosed Switch-Disconnectors

CDPD105  
Issue 2

### F200 Fire Rated Switchgear

The F200 Fire Rated products range is designed for installations where the supply must be maintained for 2 hours at 200°C.

Ranging from 20A to 200A, these units are supplied in IP66/65 die-cast aluminium or IP65 sheet steel enclosures. All units come standard in a Traffic Red (RAL 3020) polyester powder coat finish, with padlocking in both 'Off' and 'On' positions.

'N' = switched neutral (Early make, late break) | 'NL' = Unswitched neutral | 'EB' = Early break auxiliary contacts  
'T' = Increased terminal capacity



Image	Rating	Format	Switch Type	Cat. No.	Encl. Size	Encl. Material	IP Rating	Encl. Colour	
	20A	6P	GX20	F2SDDR206	A	Die-Cast Aluminium	IP66	Traffic Red Ral 3020	
		6P+2EB Aux		F2SDDR206EB					
	25A	2P	CS25	F2SDDR252	A	Die-Cast Aluminium	IP66	Traffic Red Ral 3020	
		3P		F2SDDR253					
		3P+2EB Aux		F2SDDR253EB					
		3P+N		F2SDDR253N					
		3P+NL		F2SDDR253NL					
	32A	2P	CS32	F2SDDR322	A	Die-Cast Aluminium	IP66	Traffic Red Ral 3020	
		3P		F2SDDR323					
		3P+2EB Aux		F2SDDR323EB					
		3P+N		F2SDDR323N					
	40A	2P	CS40R	F2SDDR402	A	Die-Cast Aluminium	IP66	Traffic Red Ral 3020	
				3P					F2SDDR403
				3P+2EB Aux					F2SDDR403EB
				3P+N					F2SDDR403N
6P		GX40	F2SDDR406	B	Die-Cast Aluminium	IP65	Traffic Red Ral 3020		
			6P+2EB Aux					F2SDDR406EB	
3P		CS40	F2SDDR402T	B	Die-Cast Aluminium	IP65	Traffic Red Ral 3020		
			3P+2EB Aux					F2SDDR403EBT	
			3P+N					F2SDDR403NT	
			3P+NL					F2SDDR403NLT	
63A	2P	CS63	F2SDDR632	B	Die-Cast Aluminium	IP65	Traffic Red Ral 3020		
	3P		F2SDDR633						
	3P+2EB Aux		F2SDDR633EB						
	3P+N		F2SDDR633N						
	3P+NL		F2SDDR633NL						
80A	3P	CS80	F2SDDR803	B	Die-Cast Aluminium	IP65	Traffic Red Ral 3020		
	3P+N		F2SDDR803N						
	3P+NL		F2SDDR803NL						
	63A	3P+N	CS63	F2SDRC00633N	1	Sheet Steel	IP65	Traffic Red Ral 3020	
		3P+NL		F2SDRC00633NL					
		6P		F2SDRC00636					
	80A	3P+N	CS80	F2SDRC00803N	1	Sheet Steel	IP65	Traffic Red Ral 3020	
		3P+NL		F2SDRC00803NL					
		6P		F2SDRC00806					
	100A	3P+N	CS100	F2SDRC01003N	3A	Sheet Steel	IP65	Traffic Red Ral 3020	
		3P+NL		F2SDRC01003NL					
	125A	3P+N	CS125	F2SDRC01253N	4A	Sheet Steel	IP65	Traffic Red Ral 3020	
		3P+NL		F2SDRC01253NL					
	160A	3P+N	CS160	F2SDRC01603N	4A	Sheet Steel	IP65	Traffic Red Ral 3020	
		3P+NL		F2SDRC01603NL					
200A	3P+N	CS200	F2SDRC02003N	5A	Sheet Steel	IP65	Traffic Red Ral 3020		
	3P+NL		F2SDRC02003NL						

# Technical Data Sheet

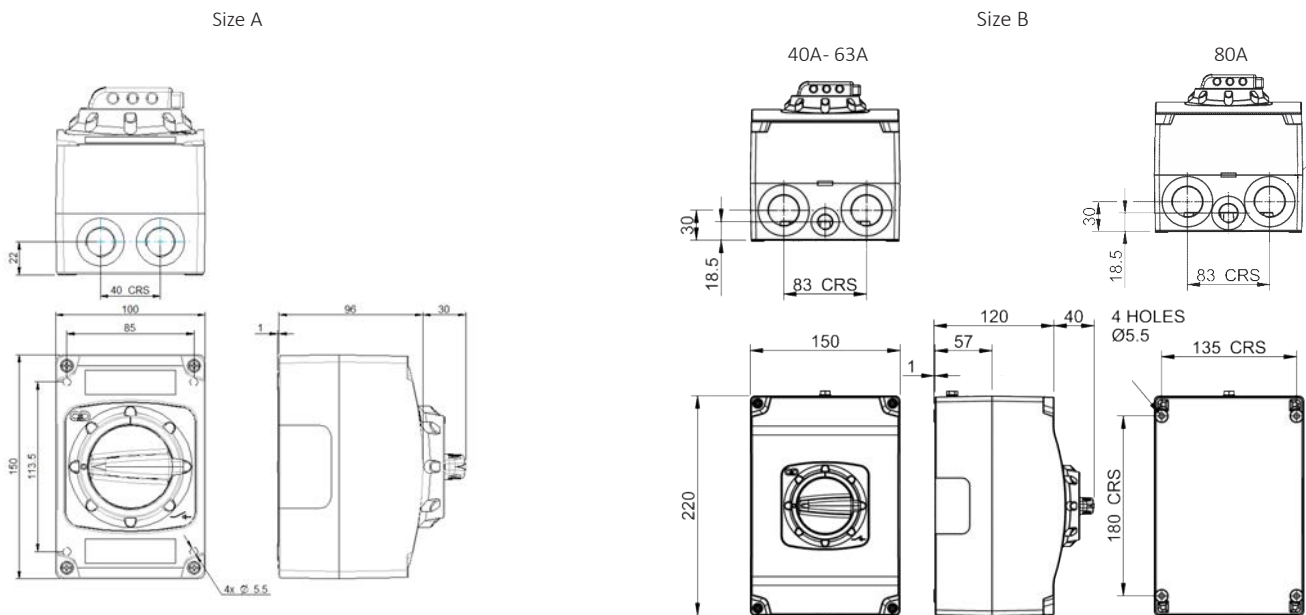
## Fire Rated - F200 Enclosed Switch-Disconnectors

CDPD105  
Issue 2

Technical Specification- Fire Rated  
Data supplied against tests to IEC/BS EN 60947-3

F200 - Switch-Disconnectors (O-I)															
Application	Sym.	Unit	Category	20A	25A	32A	40A			63A	80A	100A	125A	160A	200A
Switch product range	-	-		GX20	CS25	CS32	GX40	CS40	CS40R	CS63	CS80	CS100	CS125	CS160	CS200
Rated thermal current	$I_{the}$	A		20	25	32	40	40	40	63	80	100	125	160	200
Rated insulation voltage	$U_i$	V		690	690	690	690	690	690	690	690	1000	1000	1000	1000
Rated impulse voltage	$U_{imp}$	kV		6	6	6	6	6	6	6	6	8	8	8	8
Rated operational power (3 phase AC)		kW	380 / 440- AC23	7.5	11	15	18.5	18.5	15	25	30	59	63	75	75
			690V- AC23	7.5	15	15	15	22	15	30	30	51	55	55	55
Rated short time withstand current (1 sec)	$I_{cw}$	A		250	500	600	800	1100	600	1300	1400	2600	2800	3000	3000
Max. fuse size for short circuit protection (gG Characteristic)		kA	10kA	20	35	35	40	80	40	80	80	160	160	160	200
			25kA	16	32	35	35	80	32	63	63	160	160	160	160
			50kA	-	32	32	-	80	32	63	63	160	160	160	160
Recommended connecting capacity			Terminal type												
			mm <sup>2</sup> Flexible cable	2.5x2	6	6	6 x 2	16	6	16	16	25	50	50	70
			mm <sup>2</sup> Rigid cable	2.5x2	10	10	10 x 2	25	10	25	25	50	70	70	95
			Nm Tightening torque	1.0	1.2	1.2	1.0	1.2	1.2	1.2	1.2	1.2	2/5	2/5	2/5

### Dimensions



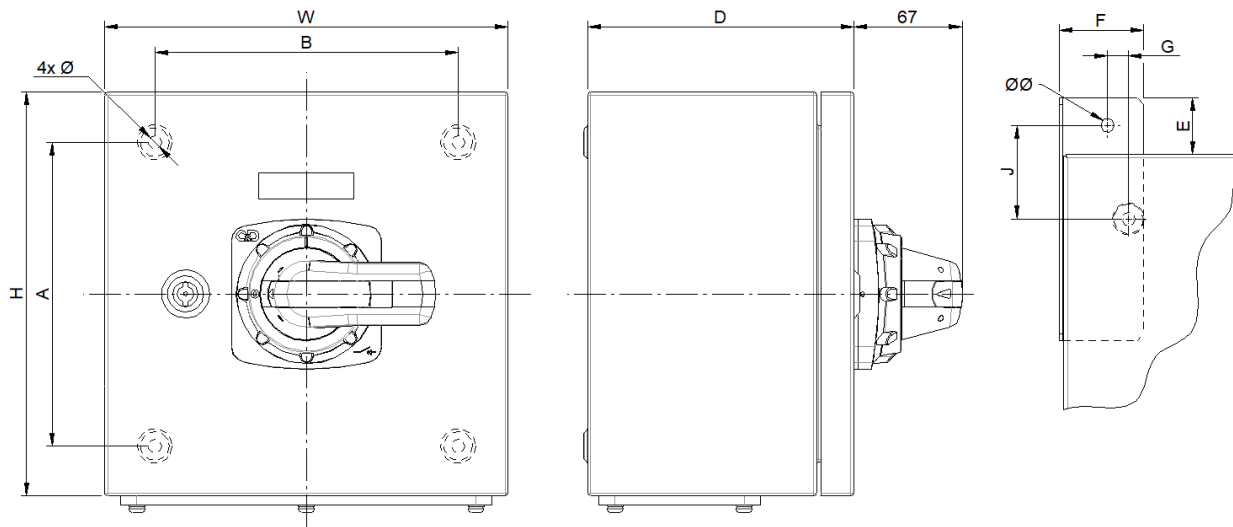
Rating	Cable Entries					
	Enclosure A		Enclosure B		Enclosure C	
	Top	Bottom	Top	Bottom	Top	Bottom
20A- 32A	--	2 x M20	--	--	--	2x M25
40A	--	2x M25	--	2x M25 + 1x M20	--	2x M20
63A	--	--	--	2x M25 + 1x M20	--	--
80A	--	--	--	2x M32 + 1x M20	--	--

# Technical Data Sheet

## Fire Rated - F200 Enclosed Switch-Disconnectors

CDPD105  
Issue 2

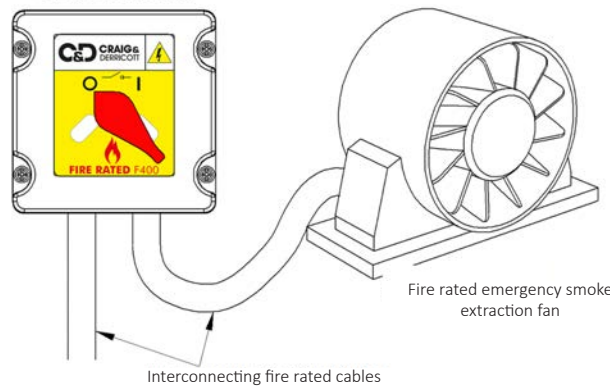
Size 1-9



Encl. Size	H	W	D	A	B	C	Ø	E	F	G	J	Ø Ø
1	250	250	100	170	170	40	6.5	35	53	18	58	6.5
2	250	300	200	170	220	67	6.5	35	58	18	58	6.5
3A	350	300	175	270	220	67	8.5	35	58	13	58	8.5
4A	400	300	175	320	220	67	8.5	35	58	13	58	8.5
5	550	450	250	470	370	67	8.5	35	58	13	58	8.5
5A	550	400	175	470	320	67	8.5	35	58	13	58	8.5
6	750	450	275	670	370	67	8.5	35	58	13	58	8.5
7	750	600	300	670	520	67	8.5	35	58	13	58	8.5
8	900	600	300	820	520	67	10.5	35	58	13	58	10.5
9	900	600	400	820	520	67	10.5	35	58	13	58	10.5

External Mounting Feet (Four per set)  
Enclosure Sizes 1 & 2 Cat No. [SEFL1/KIT](#)  
Enclosure Sizes 3- 7 Cat No. [SEFL2/KIT](#)  
Enclosure Sizes 8- 10 Cat No. [SEFL3/KIT](#)

Local isolator for emergency smoke extraction fan



# Technical Data Sheet

## Fire Rated - F300 Enclosed Switch-Disconnectors

CDPD106  
Issue 3

### F300 Fire Rated Switchgear

The F300 Fire Rated products range from 20A to 800A, supplied in IP65 die-cast aluminium or sheet steel enclosures with a Traffic Red (RAL 3020) powder coat finish. All enclosures come standard with padlocking in both 'Off' and 'On'.

The interior switches are constructed from a high temperature grade thermoset material, designed specifically for installations where the supply must be maintained for 60 mins at 300°C. Craig & Derrickott's F300 products will withstand 300°C for 120 min.

'N' = switched neutral (Early make, late break) | 'NL' = Unswitched neutral | 'EB' = Early break auxiliary contacts






Image	Rating	Format	Switch Mount	Cat. No.	Encl. Size	Encl. Material	IP Rating	Encl. Colour
	20A	2P	Lid mounted	F3SDR0202	A	Sheet Steel	IP65	Traffic Red Ral 3020
		3P		F3SDR0203				
		3P+2E/B Aux		F3SDR0203EB				
		3P+NL		F3SDR0203NL				
		4P		F3SDR0204				
		6P		F3SDR0206				
		6P+2E/B Aux		F3SDR0206EB				
25A	2P	Lid mounted	F3SDR0252	A	Sheet Steel	IP65	Traffic Red Ral 3020	
	3P		F3SDR0253					
	4P		F3SDR0254					
	20A	2P	Lid mounted	F3DDR0202	E	Die-Cast Aluminium	IP65	Traffic Red Ral 3020
		3P		F3DDR0203				
		3P+2E/B Aux		F3DDR0203EB				
		3P+NL		F3DDR0203NL				
		4P		F3DDR0204				
		6P		F3DDR0206				
		6P+2E/B Aux		F3DDR0206EB				
	32A	2P	Lid mounted	F3DDR0322	B	Die-Cast Aluminium	IP65	Traffic Red Ral 3020
		3P		F3DDR0323				
		3P+2E/B Aux		F3DDR0323EB				
		3P+NL		F3DDR0323NL				
		4P		F3DDR0324				
		6P		F3DDR0326				
		6P+2E/B Aux		F3DDR0326EB				
40A	2P	Lid mounted	F3DDR0402	B	Die-Cast Aluminium	IP65	Traffic Red Ral 3020	
	3P		F3DDR0403					
	4P		F3DDR0404					
	63A	2P	Base mounted	F3SDR0632	C	Sheet Steel	IP65	Traffic Red Ral 3020
		3P		F3SDR0633				
		3P+2E/B Aux		F3SDR0633EB				
		3P+NL		F3SDR0633NL				
		4P		F3SDR0634				
		6P		F3SDR0636				
		6P+2E/B Aux		F3SDR0636EB				

# Technical Data Sheet

## Fire Rated - F300 Enclosed Switch-Disconnectors

CDPD106  
Issue 3

Image	Rating	Format	Switch Mount	Cat. No.	Encl. Size	Encl. Material	IP Rating	Encl. Colour
	80A	2P	Base mounted	F3SDR0802	3A	Sheet Steel	IP65	Traffic Red Ral 3020
		3P		F3SDR0803				
		3P+NL		F3SDR0803NL				
		4P		F3SDR0804	D			
		3P+2E/B Aux		F3SDR0803EB				
		6P		F3SDR0806				
		6P+2E/B Aux		F3SDR0806EB				
	125A	2P	Base mounted	F3SDR01252	D	Sheet Steel	IP65	Traffic Red Ral 3020
		3P		F3SDR01253				
		3P+NL		F3SDR01253NL				
		3P+2E/B Aux		F3SDR01253EB				
		4P		F3SDR01254				
		6P		F3SDR01256				
6P+2E/B Aux	F3SDR01256EB							
	160A	3P	Base mounted	F3SDR01603	5	Sheet Steel	IP65	Traffic Red Ral 3020
		3P+NL		F3SDR01603NL				
		4P		F3SDR01604	7			
		6P		F3SDR01606				
	200A	3P	Base mounted	F3SDR02003	5	Sheet Steel	IP65	Traffic Red Ral 3020
		3P+NL		F3SDR02003NL				
		4P		F3SDR02004				
	250A	6P	Base mounted	F3SDR02006	7	Sheet Steel	IP65	Traffic Red Ral 3020
		3P		F3SDR02503	5			
		3P+NL		F3SDR02503NL				
		4P		F3SDR02504				
		315A	6P	Base mounted	F3SDR02506	7	Sheet Steel	IP65
3P			F3SDR03153		6			
3P+NL			F3SDR03153NL					
4P			F3SDR03154					
400A		6P	Base mounted	F3SDR03156	9	Sheet Steel	IP65	Traffic Red Ral 3020
		3P		F3SDR04003	6			
		3P+NL		F3SDR04003NL				
		4P		F3SDR04004				
630A		6P	Base mounted	F3SDR04006	9	Sheet Steel	IP65	Traffic Red Ral 3020
		3P		F3SDR06303	8			
		3P+NL		F3SDR06303NL				
		4P		F3SDR06304				
800A	6P	Base mounted	F3SDR06306	9	Sheet Steel	IP65	Traffic Red Ral 3020	
	3P		F3SDR08003	8				
	3P+NL		F3SDR08003NL					
	4P		F3SDR08004					
		6P		F3SDR08006	9			

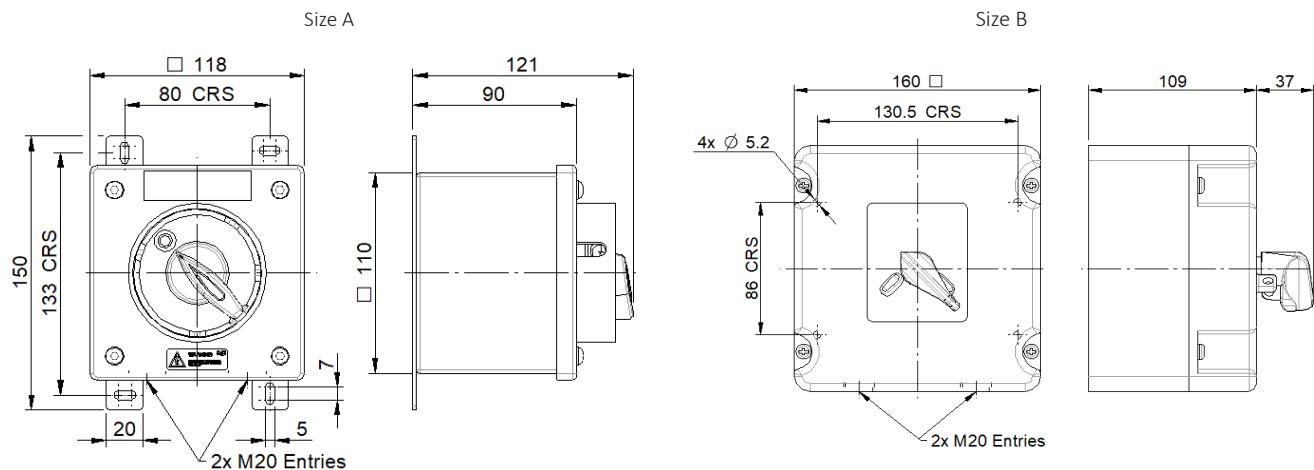
# Technical Data Sheet

## Fire Rated - F300 Enclosed Switch-Disconnectors

CDPD106  
Issue 3

F300 Switch-Disconnectors (O-I)																			
Application	Sym.	Unit	Category	20A	25A	32A	40A	63A	80A	125A	160A	200A	250A	315A	400A	630A	800A		
Rated thermal current	$I_{the}$	A		20	25	32	40	63	80	125	160	200	250	315	400	630	720		
Rated insulation voltage	$U_i$	V		690	690	690	690	690	690	690	1000	1000	1000	1000	1000	1000	1000		
Rated impulse voltage	$U_{imp}$	kV		6.0	6.0	6.0	6.0	6.0	6.0	6.0	12.0	12.0	12.0	12.0	12.0	12.0	12.0		
Rated operational power (3 phase AC)	$I_e / P_e$	A/kW	415V- AC23A	20/9.5	25/11	32/15	32/15	40 /18.5	80/40	100 /55	160 /90	200 /110	250 /132	315 /200	400 /200	630 /315	720 /355		
			690V- AC23A	-	-	-	-	-	-	-	-	160 /150	200 /190	250 /200	315 /315	350 /315	350 /355	350 /355	
			690V- AC23B	20/9.5	20/9.5	20/9.5	-	20/9.5	-	-	-	-	-	-	-	-	-	-	-
			660V- AC23B	-	-	-	-	-	30/22	30/22	-	-	-	-	-	-	-	-	-
Conditional Short Circuit Current	Fuse gG	kA / Fuse (A)	415V	50/32	50/32	50/32	50/32	50/63	50 /150	50 /200	50 /160	50 /200	50 /250	-	-	-	-		
			690V	40/32	40/32	40/32	40/32	40/63	50/63	50/63	50 /160	50 /200	50 /250	50 /315	50 /400	100 /630	-	-	
Short circuit withstand (1 sec)	$I_{cw}$	kA	RMS value	-	-	-	-	-	1.5	1.5	8.0	8.0	8.0	17.0	17.0	17.0	17.0		
Recommended connecting capacity		-	Terminal type																
		mm <sup>2</sup>	Flexible cable	≤ 4.0	≤ 4.0	6	6	16	50	50	95	95	120	2/150	2/150	2/185	2/240		
		mm <sup>2</sup>	Rigid cable	≤ 4.0	≤ 4.0	10	10	25	35	50	95	95	120	2/150	2/150	2/185	2/240		
		Nm	Tightening torque	1.2	1.2	1.2	1.2	3	12	12	35	35	35	35	35	50	50		

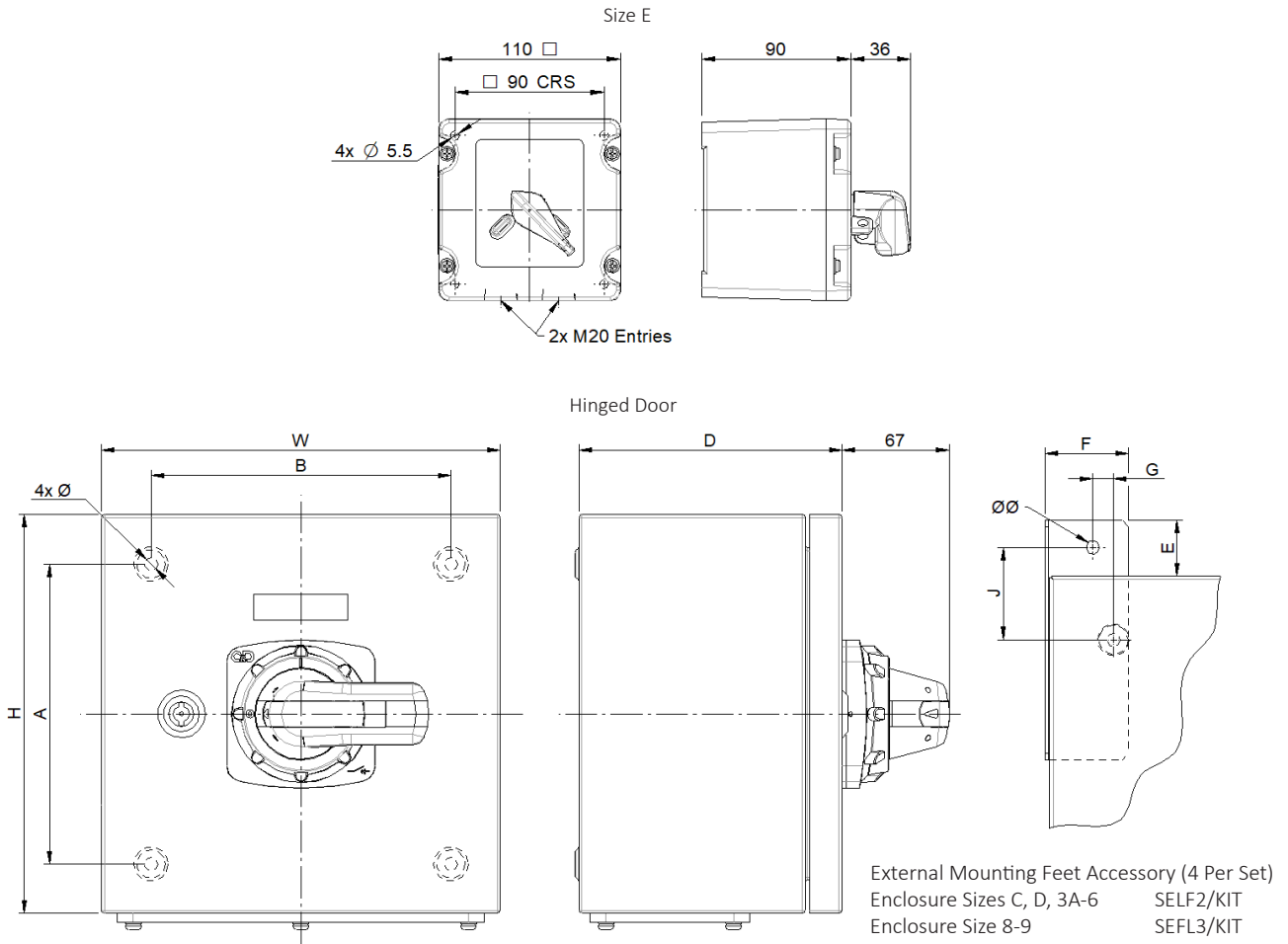
### Dimensions



# Technical Data Sheet

## Fire Rated - F300 Enclosed Switch-Disconnectors

CDPD106  
Issue 3



Dimensions	Enclosure Size								
	C	3A	D	5	6	7	8	9	
Height (H)	250	350	480	550	750	750	900	900	
Width (W)	250	300	240	450	450	600	600	600	
Depth (D)	165	175	238	250	275	300	300	400	
Vertical Fixing CRS (A)	188	270	400	470	670	670	820	820	
Horizontal Fixing CRS (B)	188	220	160	370	370	520	520	520	
Fixing Hole Size (Ø)	8.5	8.5	8.5	8.5	8.5	8.5	10.5	10.5	
Foot Projection (E)	35	35	35	35	35	35	35	35	
Foot Width (F)	58	58	58	58	58	58	58	58	
Hole Centres (G)	13	13	13	13	13	13	13	13	
Hole Centres (J)	58	58	58	58	58	58	58	58	
Fixing Hole Size (ØØ)	8.5	8.5	8.5	8.5	8.5	8.5	10.5	10.5	

# Technical Data Sheet

## **Fire Rated - F400 Enclosed Switch-Disconnectors**

CDPD107  
Issue 5

### F400 Fire Rated Switchgear

The F400 Fire Rated products range from 20A to 630A, supplied in IP65 die-cast aluminium or sheet steel enclosures with a Traffic Red (RAL 3020) powder coat finish. Units rated 63A and above are fitted with highly durable anodised aluminium metal handles. All enclosures come standard with padlocking in both 'Off' and 'On'.

The interior switches are constructed from a high temperature grade thermoset material, designed specifically for installations where the supply must be maintained for 2 hours at 400°C.

Stainless Steel Grade 316L enclosures are available on request for 63A- 630A. Replace 'R' with 'S' in the Cat. No. e.g.F3SDS0633N.

'N' = switched neutral (Early make, late break) | 'NL' = Unswitched neutral | 'EB' = Early break auxiliary contacts





Image	Rating	Format	Switch Mount	Cat. No.	Encl. Size	Encl. Material	IP Rating	Encl. Colour
	20A	2P	Lid mounted	FSDMR0202	A	Sheet Steel	IP65	Traffic Red Ral 3020
		3P		FSDMR0203				
		3P+2E/B Aux		FSDMR0203EB				
		3P+NL		FSDMR0203NL				
		4P		FSDMR0204				
		6P		FSDMR0206				
	25A	2P	Lid mounted	FSDMR0252	A	Sheet Steel	IP65	Traffic Red Ral 3020
		3P		FSDMR0253				
		4P		FSDMR0254				
		6P		FSDMR0206				
	20A	2P	Lid mounted	FSDDR0202	E	Die-Cast Aluminium	IP65	Traffic Red Ral 3020
		3P		FSDDR0203				
		3P+2E/B Aux		FSDDR0203EB				
		3P+NL		FSDDR0203NL				
		4P		FSDDR0204				
		6P		FSDDR0206				
	32A	2P	Lid mounted	FSDDR0322	B	Die-Cast Aluminium	IP65	Traffic Red Ral 3020
		3P		FSDDR0323				
		3P+2E/B Aux		FSDDR0323EB				
		3P+NL		FSDDR0323NL				
40A	4P	Lid mounted	FSDDR0324	B	Die-Cast Aluminium	IP65	Traffic Red Ral 3020	
	6P		FSDDR0326					
	6P+2E/B Aux		FSDDR0326EB					
	2P		FSDDR0402					
	63A	2P	Base mounted	FSDMR0632	C	Sheet Steel	IP65	Traffic Red Ral 3020
		3P		FSDMR0633				
		3P+2E/B Aux		FSDMR0633EB				
		3P+NL		FSDMR0633NL				
		4P		FSDMR0634				
		6P		FSDMR0636				
		6P+2E/B Aux		FSDMR0636EB				



# Technical Data Sheet

## **Fire Rated - F400 Enclosed Switch-Disconnectors**

CDPD107  
Issue 5

Image	Rating	Format	Switch Mount	Cat. No.	Encl. Size	Encl. Material	IP Rating	Encl. Colour
	80A	2P	Base mounted	FSDMR0802	3A	Sheet Steel	IP65	Traffic Red Ral 3020
		3P		FSDMR0803				
		3P+NL		FSDMR0803NL				
		4P		FSDMR0804				
		3P+2E/B Aux		FSDMR0803EB				
		6P		FSDMR0806				
	6P+2E/B Aux	FSDMR0806EB	D					
	125A	2P	Base mounted	FSDMR01252	D	Sheet Steel	IP65	Traffic Red Ral 3020
		3P		FSDMR01253				
		3P+NL		FSDMR01253NL				
		3P+2E/B Aux		FSDMR01253EB				
		4P		FSDMR01254				
6P		FSDMR01256						
6P+2E/B Aux	FSDMR01256EB							
	160A	3P	Base mounted	FSDMR01603	5	Sheet Steel	IP65	Traffic Red Ral 3020
		3P+NL		FSDMR01603NL				
		4P		FSDMR01604				
		6P		FSDMR01606	7			
	200A	3P	Base mounted	FSDMR02003	5	Sheet Steel	IP65	Traffic Red Ral 3020
		3P+NL		FSDMR02003NL				
		4P		FSDMR02004				
	250A	6P	Base mounted	FSDMR02006	7	Sheet Steel	IP65	Traffic Red Ral 3020
		3P		FSDMR02503	5			
		3P+NL		FSDMR02503NL				
	315A	4P	Base mounted	FSDMR02504	9	Sheet Steel	IP65	Traffic Red Ral 3020
		6P		FSDMR02506				
3P		FSDMR03153		6				
3P+NL	FSDMR03153NL							
400A	4P	Base mounted	FSDMR03154	9	Sheet Steel	IP65	Traffic Red Ral 3020	
	6P		FSDMR03156					
	3P		FSDMR04003					6
	3P+NL		FSDMR04003NL					
630A	4P	Base mounted	FSDMR04004	9	Sheet Steel	IP65	Traffic Red Ral 3020	
	6P		FSDMR04006					
	3P		FSDMR06303					8
	3P+NL		FSDMR06303NL					
630A	4P	Base mounted	FSDMR06304	9	Sheet Steel	IP65	Traffic Red Ral 3020	
	6P		FSDMR06306					

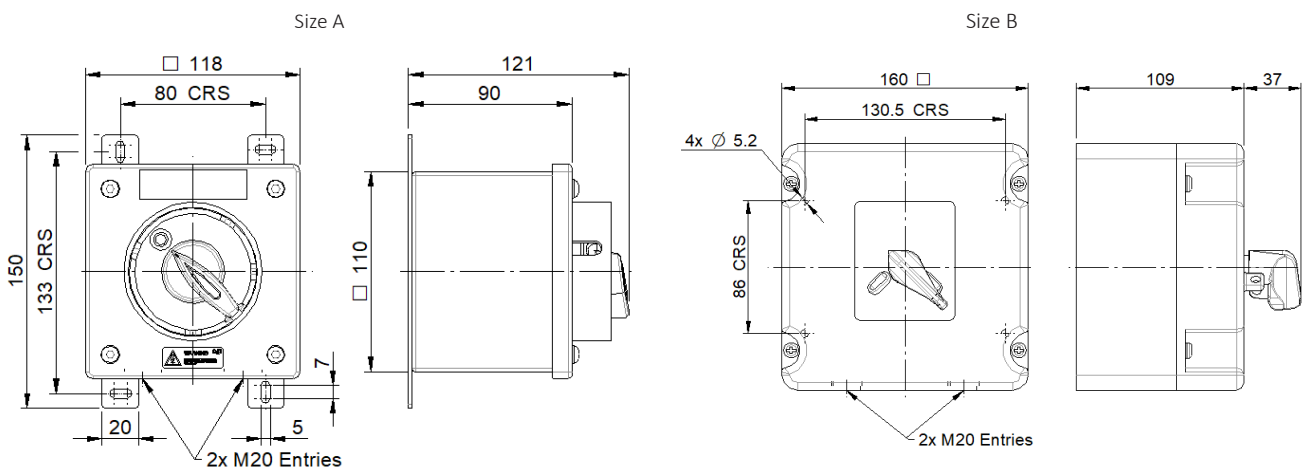
# Technical Data Sheet

## Fire Rated - F400 Enclosed Switch-Disconnectors

CDPD107  
Issue 5

F400 Switch-Disconnectors (O-I)																			
Application	Sym.	Unit	Category	20A	25A	32A	40A	63A	80A	125A	160A	200A	250A	315A	400A	630A	800A		
Rated thermal current	$I_{the}$	A		20	25	32	40	63	80	125	160	200	250	315	400	630	720		
Rated insulation voltage	$U_i$	V		690	690	690	690	690	690	690	1000	1000	1000	1000	1000	1000	1000		
Rated impulse voltage	$U_{imp}$	kV		6.0	6.0	6.0	6.0	6.0	6.0	6.0	12.0	12.0	12.0	12.0	12.0	12.0	12.0		
Rated operational power (3 phase AC)	$I_e / P_e$	A/kW	415V- AC23A	20/9.5	25/11	32/15	32/15	40/18.5	80/40	100/55	160/90	200/110	250/132	315/200	400/200	630/315	720/355		
			690V- AC23A	-	-	-	-	-	-	-	-	160/150	200/190	250/200	315/315	350/315	350/355	350/355	
			690V- AC23B	20/9.5	20/9.5	20/9.5	-	20/9.5	-	-	-	-	-	-	-	-	-	-	-
			660V- AC23B	-	-	-	-	-	30/22	30/22	-	-	-	-	-	-	-	-	-
Conditional Short Circuit Current	Fuse gG	kA / Fuse (A)	415V	50/32	50/32	50/32	50/32	50/63	50/150	50/200	50/160	50/200	50/250	-	-	-	-		
			690V	40/32	40/32	40/32	40/32	40/63	50/63	50/63	50/160	50/200	50/250	50/315	50/400	100/630	-	-	
Short circuit withstand (1 sec)	$I_{cw}$	kA	RMS value	-	-	-	-	-	1.5	1.5	8.0	8.0	8.0	17.0	17.0	17.0	17.0		
Recommended connecting capacity		-	Terminal type																
		mm <sup>2</sup>	Flexible cable	≤ 4.0	≤ 4.0	6	6	16	50	50	95	95	120	2/150	2/150	2/185	2/240		
		mm <sup>2</sup>	Rigid cable	≤ 4.0	≤ 4.0	10	10	25	35	50	95	95	120	2/150	2/150	2/185	2/240		
		Nm	Tightening torque	1.2	1.2	1.2	1.2	3	12	12	35	35	35	35	35	50	50		

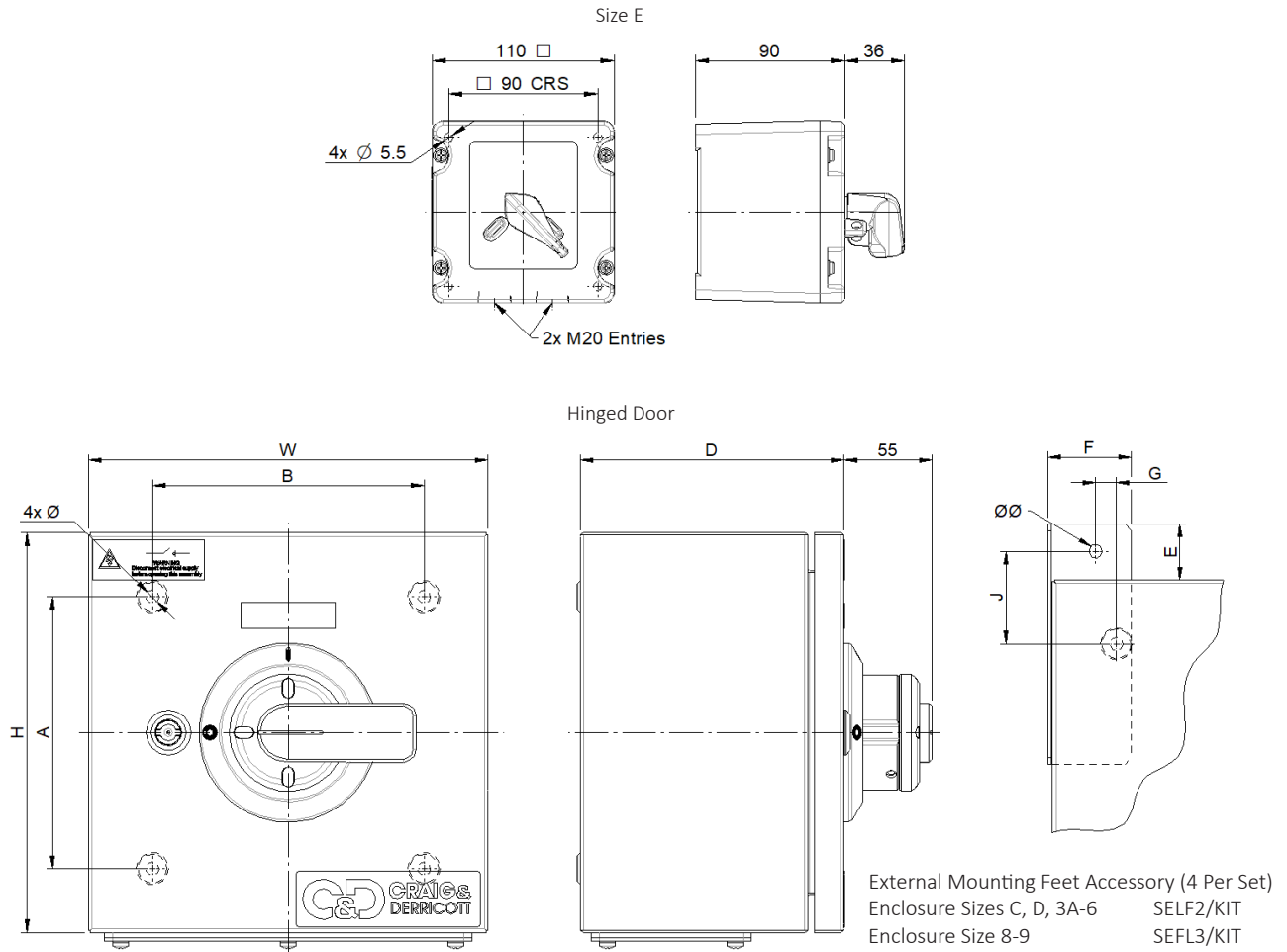
### Dimensions



# Technical Data Sheet

## Fire Rated - F400 Enclosed Switch-Disconnectors

CDPD107  
Issue 5



Dimensions	Enclosure Size							
	C	3A	D	5	6	7	8	9
Height (H)	250	350	480	550	750	750	900	900
Width (W)	250	300	240	450	450	600	600	600
Depth (D)	165	175	238	250	275	300	300	400
Vertical Fixing CRS (A)	188	270	400	470	670	670	820	820
Horizontal Fixing CRS (B)	188	220	160	370	370	520	520	520
Fixing Hole Size (Ø)	8.5	8.5	8.5	8.5	8.5	8.5	10.5	10.5
Foot Projection (E)	35	35	35	35	35	35	35	35
Foot Width (F)	58	58	58	58	58	58	58	58
Hole Centres (G)	13	13	13	13	13	13	13	13
Hole Centres (J)	58	58	58	58	58	58	58	58
Fixing Hole Size (ØØ)	8.5	8.5	8.5	8.5	8.5	8.5	10.5	10.5